

The Government of the Province of British Columbia
Department of Lands, Forests and Water Resources
Water Resources Service

Canada – British Columbia
Fraser River Flood Control 1968 Agreement
Project No. 3 The Township of Richmond

Contract No. 2
South Dyke Improvements
East of Lafarge

DRAWING LIST

CONTRACT DRAWINGS

4795-2-1	GENERAL PLAN	4795-2-8	MISCELLANEOUS DETAILS SHEET 1 OF 4
4795-2-2	ALIGNMENT PLAN SHEET 1 OF 3	4795-2-9	MISCELLANEOUS DETAILS SHEET 2 OF 4
4795-2-3	ALIGNMENT PLAN SHEET 2 OF 3	4795-2-10	MISCELLANEOUS DETAILS SHEET 3 OF 4
4795-2-4	ALIGNMENT PLAN SHEET 3 OF 3	4795-2-11	MISCELLANEOUS DETAILS SHEET 4 OF 4
4795-2-5	TYPICAL DYKE SECTIONS SHEET 1 OF 3		
4795-2-6	TYPICAL DYKE SECTIONS SHEET 2 OF 3		
4795-2-7	TYPICAL DYKE SECTIONS SHEET 3 OF 3		

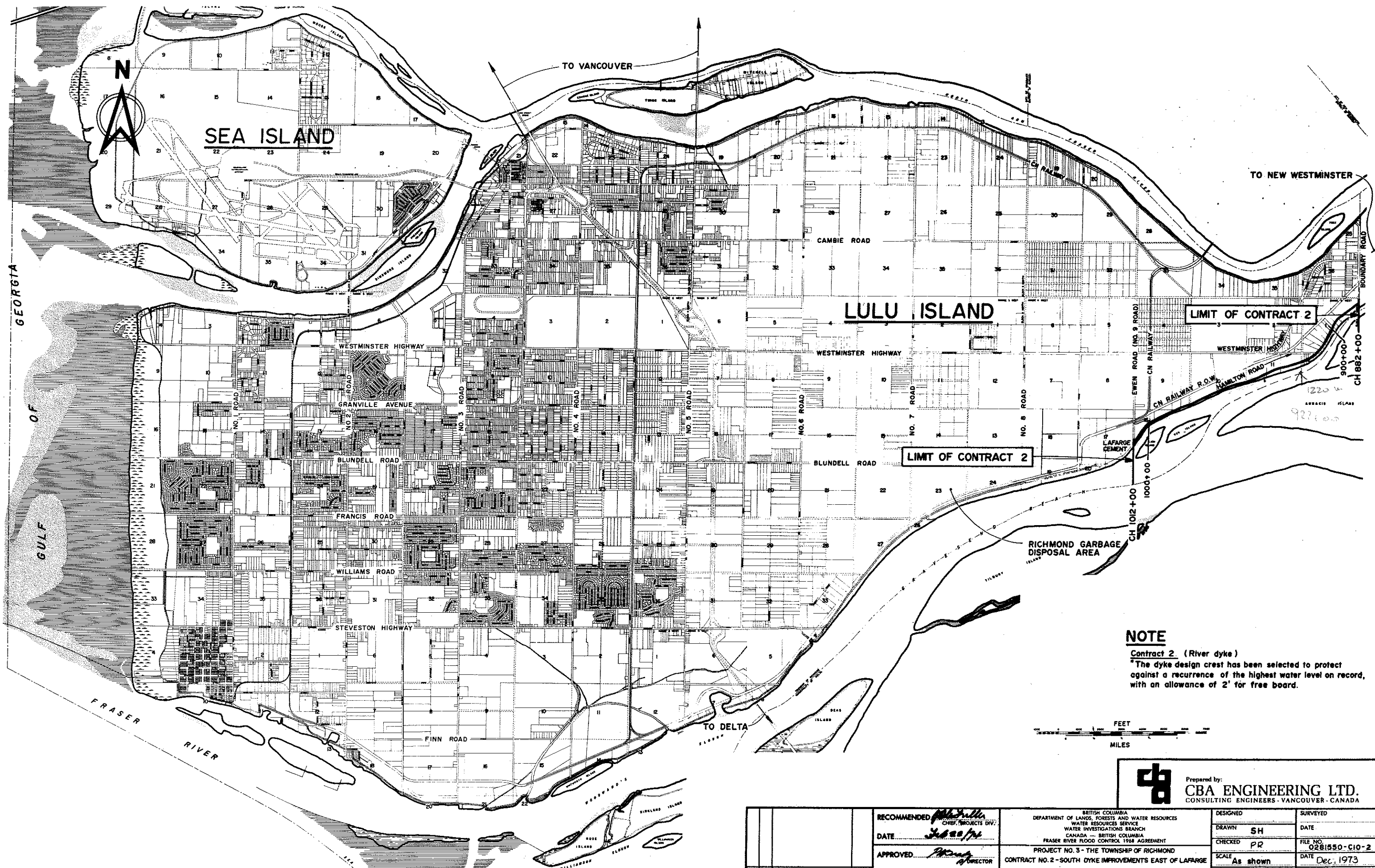
REFERENCE DRAWINGS

4795-2-12	PLAN SHOWING LOCATION OF EXISTING SURVEY MARKERS & UTILITIES SHEET 1 OF 5
4795-2-13	PLAN SHOWING LOCATION OF EXISTING SURVEY MARKERS & UTILITIES SHEET 2 OF 5
4795-2-14	PLAN SHOWING LOCATION OF EXISTING SURVEY MARKERS & UTILITIES SHEET 3 OF 5
4795-2-15	PLAN SHOWING LOCATION OF EXISTING SURVEY MARKERS & UTILITIES SHEET 4 OF 5
4795-2-16	PLAN SHOWING LOCATION OF EXISTING SURVEY MARKERS & UTILITIES SHEET 5 OF 5



CBA ENGINEERING LTD

Consulting Engineers
Vancouver, Canada

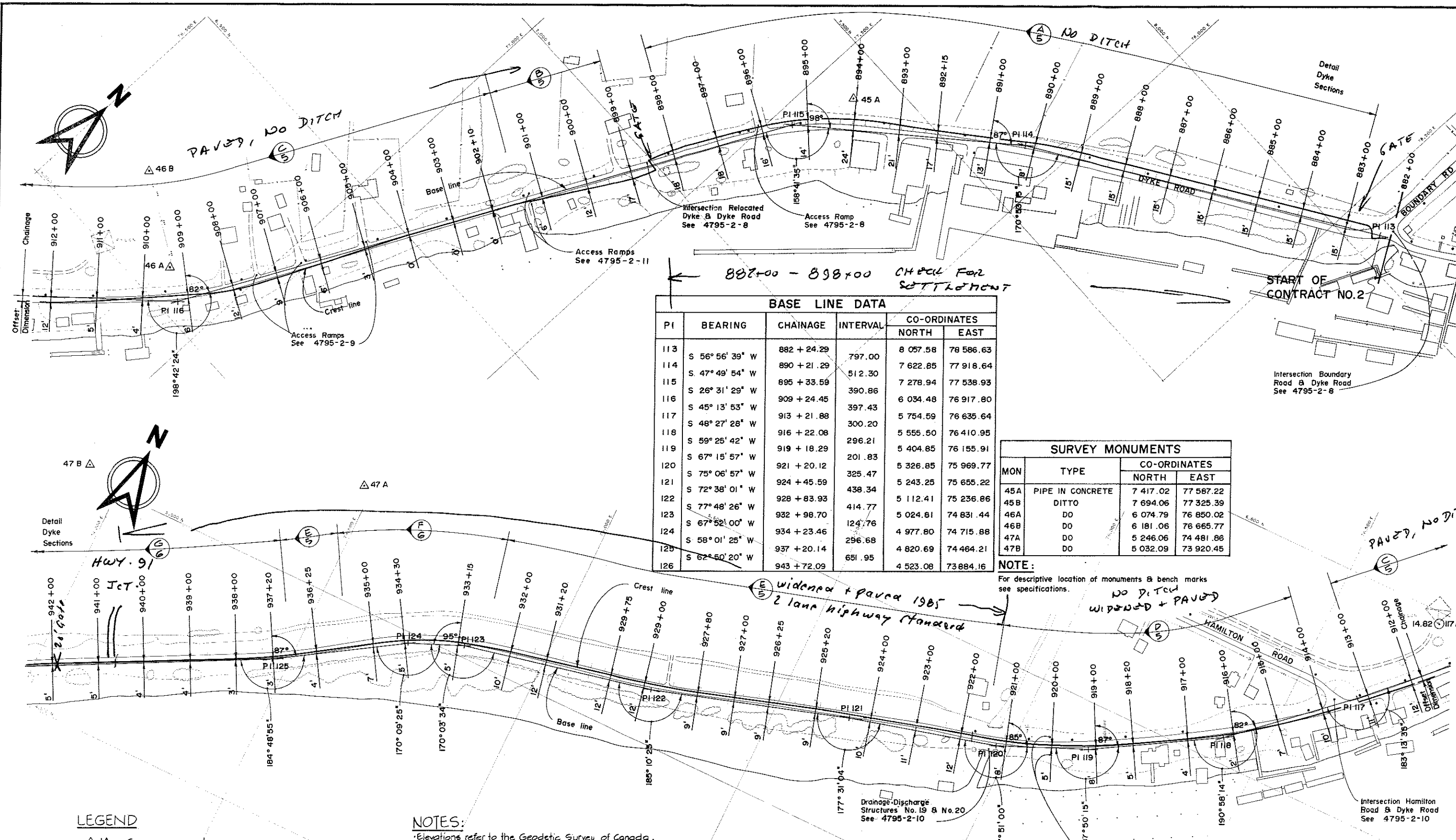


NOTE
 Contract 2 (River dyke)
 The dyke design crest has been selected to protect against a recurrence of the highest water level on record, with an allowance of 2' for free board.



Prepared by:
CBA ENGINEERING LTD.
 CONSULTING ENGINEERS - VANCOUVER - CANADA

NO.	BY	REVISIONS	DATE	RECOMMENDED <i>Michael</i>	BRITISH COLUMBIA DEPARTMENT OF LANDS, FORESTS AND WATER RESOURCES WATER RESOURCES SERVICE WATER INVESTIGATIONS BRANCH CANADA - BRITISH COLUMBIA FRASER RIVER FLOOD CONTROL 1968 AGREEMENT	DESIGNED	SURVEYED
				DATE <i>Feb 20/74</i>		DRAWN SH	DATE
				APPROVED <i>Director</i>	PROJECT NO. 3 - THE TOWNSHIP OF RICHMOND CONTRACT NO. 2 - SOUTH DYKE IMPROVEMENTS EAST OF LAFARGE GENERAL PLAN	CHECKED PR	FILE NO. 0281550-C10-2
				DATE <i>Feb 25/74</i>		SCALE As shown	DATE Dec. 1973
						DWG. NO. 4795-2-1	SHEET 1 OF 1 SHEETS



BASE LINE DATA

PI	BEARING	CHAINAGE	INTERVAL	CO-ORDINATES	
				NORTH	EAST
113	S 56° 56' 39" W	882 + 24.29	797.00	8 057.58	78 586.63
114	S 47° 49' 54" W	890 + 21.29	512.30	7 622.85	77 918.64
115	S 26° 31' 26" W	895 + 33.59	390.86	7 278.94	77 538.93
116	S 45° 13' 53" W	909 + 24.45	397.43	6 034.48	76 917.80
117	S 48° 27' 28" W	913 + 21.88	300.20	5 754.59	76 635.64
118	S 59° 25' 42" W	916 + 22.08	296.21	5 555.50	76 410.95
119	S 67° 15' 57" W	919 + 18.29	201.83	5 404.85	76 155.91
120	S 75° 06' 57" W	921 + 20.12	325.47	5 326.85	75 969.77
121	S 72° 38' 01" W	924 + 45.59	438.34	5 243.25	75 655.22
122	S 77° 48' 26" W	928 + 63.93	414.77	5 112.41	75 236.86
123	S 67° 52' 00" W	932 + 98.70	124.76	5 024.61	74 831.44
124	S 58° 01' 25" W	934 + 23.46	296.68	4 977.80	74 715.88
125	S 62° 50' 20" W	937 + 20.14	651.95	4 820.69	74 464.21
126		943 + 72.09		4 523.08	73 884.16

SURVEY MONUMENTS

MON	TYPE	CO-ORDINATES	
		NORTH	EAST
45A	PIPE IN CONCRETE	7 417.02	77 567.22
45B	DITTO	7 694.06	77 325.39
46A	DO	6 074.79	76 850.02
46B	DO	6 181.06	76 665.77
47A	DO	5 246.06	74 481.86
47B	DO	5 032.09	73 920.45

NOTE:
For descriptive location of monuments & bench marks see specifications.

LEGEND

- △ IA - Survey monument
- 8.85 ○ 101A - Bench mark & geodetic elevation
- ⊙ A - Section identification letter
- ⊙ S - Dwg No. on which the section is drawn (ie) 4795-2-[5]

NOTES:

- * Elevations refer to the Geodetic Survey of Canada.
- * A smooth alignment should be maintained over the entire length of the dyke.
- * Offset distances from base line to crest line are taken at the design crest elevation.
- * The angle of offset is 90° to base line unless otherwise indicated.
- * The line defined as the crest line is the river side shoulder of the dyke.

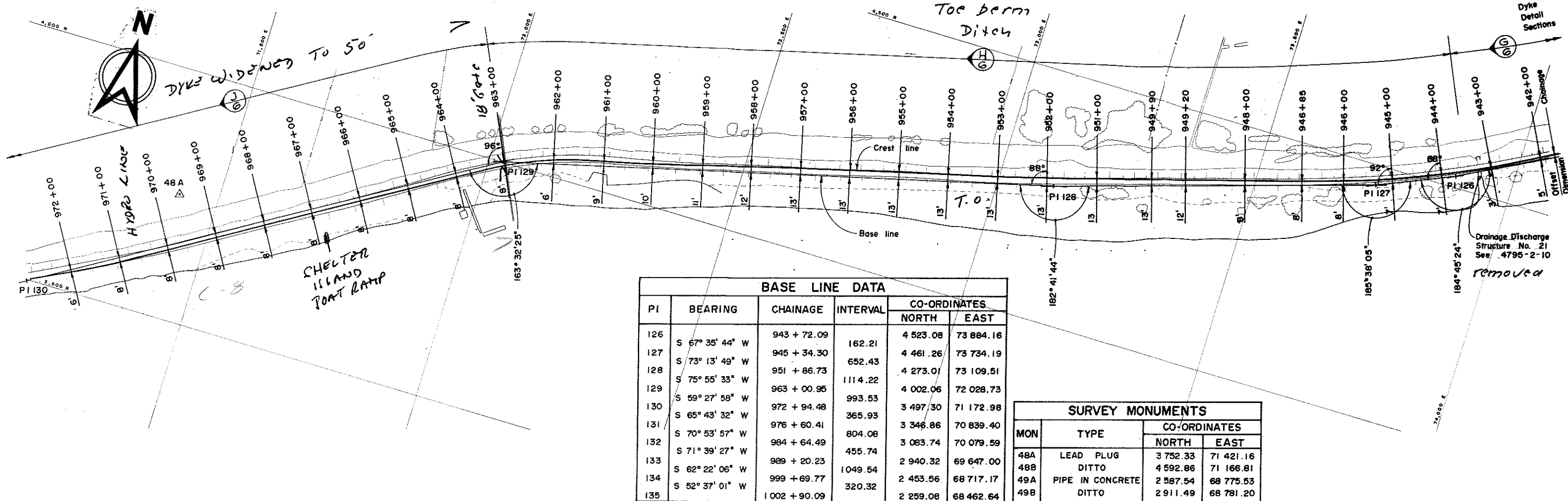


RECOMMENDED	<i>[Signature]</i> CHIEF, PROJECTS DIV.
DATE	<i>Feb 22/74</i>
APPROVED	<i>[Signature]</i> DIRECTOR
DATE	<i>Feb 25/74</i>

BRITISH COLUMBIA
DEPARTMENT OF LANDS, FORESTS AND WATER RESOURCES
WATER RESOURCES SERVICE
WATER INVESTIGATIONS BRANCH
CANADA - BRITISH COLUMBIA
FRASER RIVER FLOOD CONTROL 1968 AGREEMENT
PROJECT NO. 3 - THE TOWNSHIP OF RICHMOND
CONTRACT NO. 2 - SOUTH DYKE IMPROVEMENTS EAST OF LAFARGE
ALIGNMENT PLAN

DESIGNED	DLC & DJB	SURVEYED	ES
DRAWN	SH	DATE	1969/70
CHECKED	PR	FILE NO.	0281550-C10-2
SCALE	As shown	DATE	Dec. 1973
DWG. NO.	4795-2-2	SHEET	1 OF 3 SHEETS

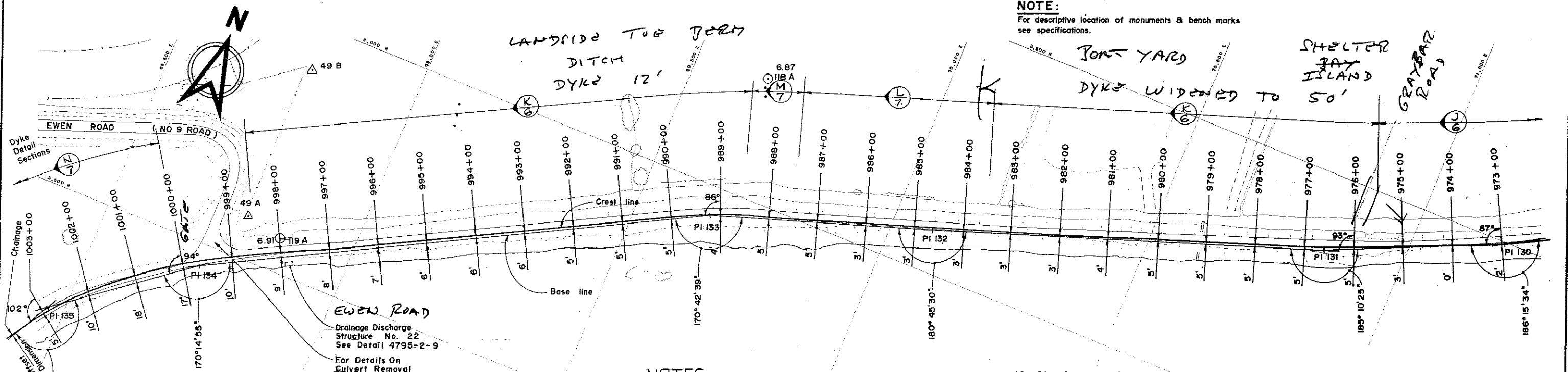
Prepared by:
CBA ENGINEERING LTD.
CONSULTING ENGINEERS - VANCOUVER - CANADA



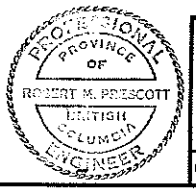
BASE LINE DATA					
PI	BEARING	CHAINAGE	INTERVAL	CO-ORDINATES	
				NORTH	EAST
126	S 67° 35' 44" W	943 + 72.09	162.21	4 523.08	73 884.16
127	S 73° 13' 49" W	945 + 34.30	652.43	4 461.26	73 734.19
128	S 75° 55' 33" W	951 + 86.73	1 114.22	4 273.01	73 109.51
129	S 59° 27' 58" W	963 + 00.95	993.53	4 002.06	72 028.73
130	S 65° 43' 32" W	972 + 94.48	365.93	3 497.30	71 172.98
131	S 70° 53' 57" W	976 + 60.41	804.08	3 346.86	70 839.40
132	S 71° 39' 27" W	984 + 64.49	455.74	3 063.74	70 079.59
133	S 62° 22' 06" W	989 + 20.23	1 049.54	2 940.32	69 647.00
134	S 52° 37' 01" W	999 + 69.77	320.32	2 453.56	68 717.17
135		1 002 + 90.09		2 259.08	68 462.64

SURVEY MONUMENTS			
MON	TYPE	CO-ORDINATES	
		NORTH	EAST
48A	LEAD PLUG	3 752.33	71 421.16
48B	DITTO	4 592.86	71 166.81
49A	PIPE IN CONCRETE	2 587.54	68 775.53
49B	DITTO	2 911.49	68 781.20

NOTE:
For descriptive location of monuments & bench marks see specifications.



NOTES
For Notes & Legend see 4795-2-2.

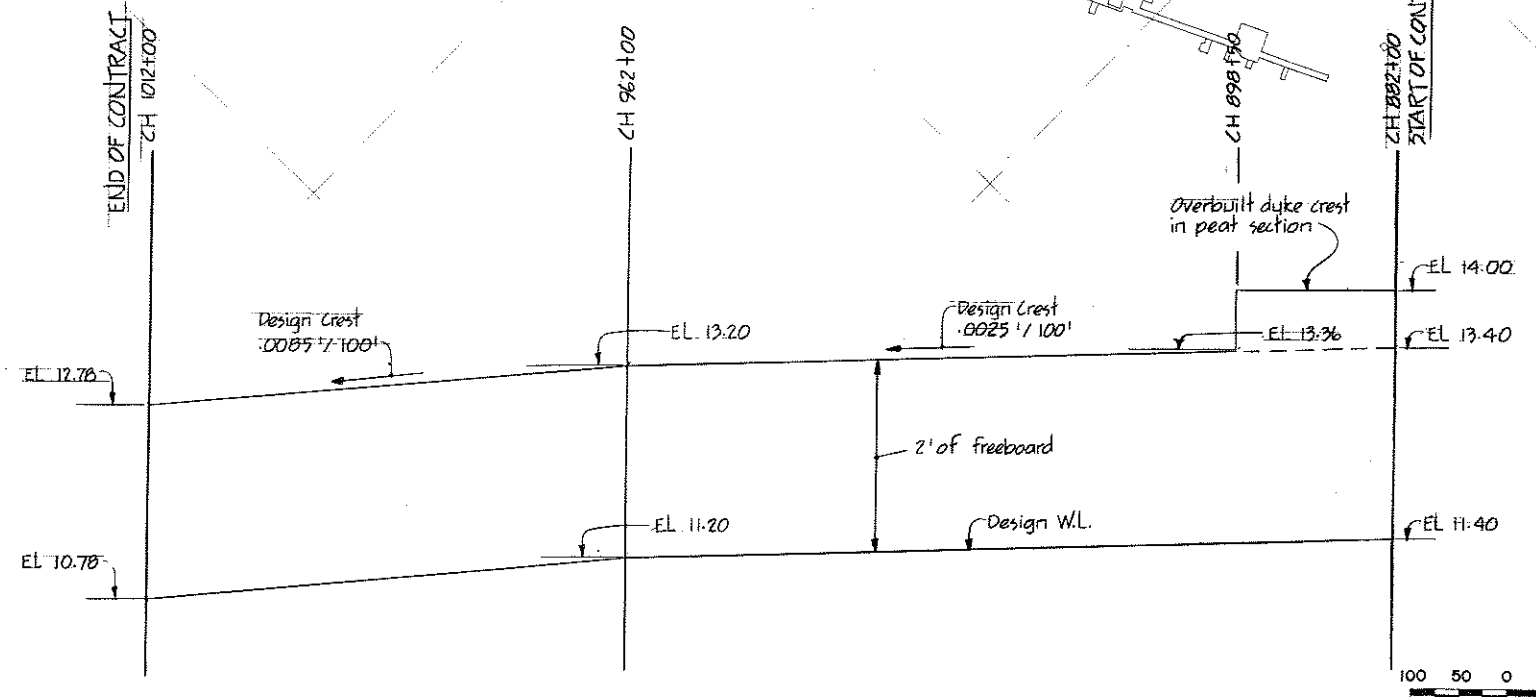
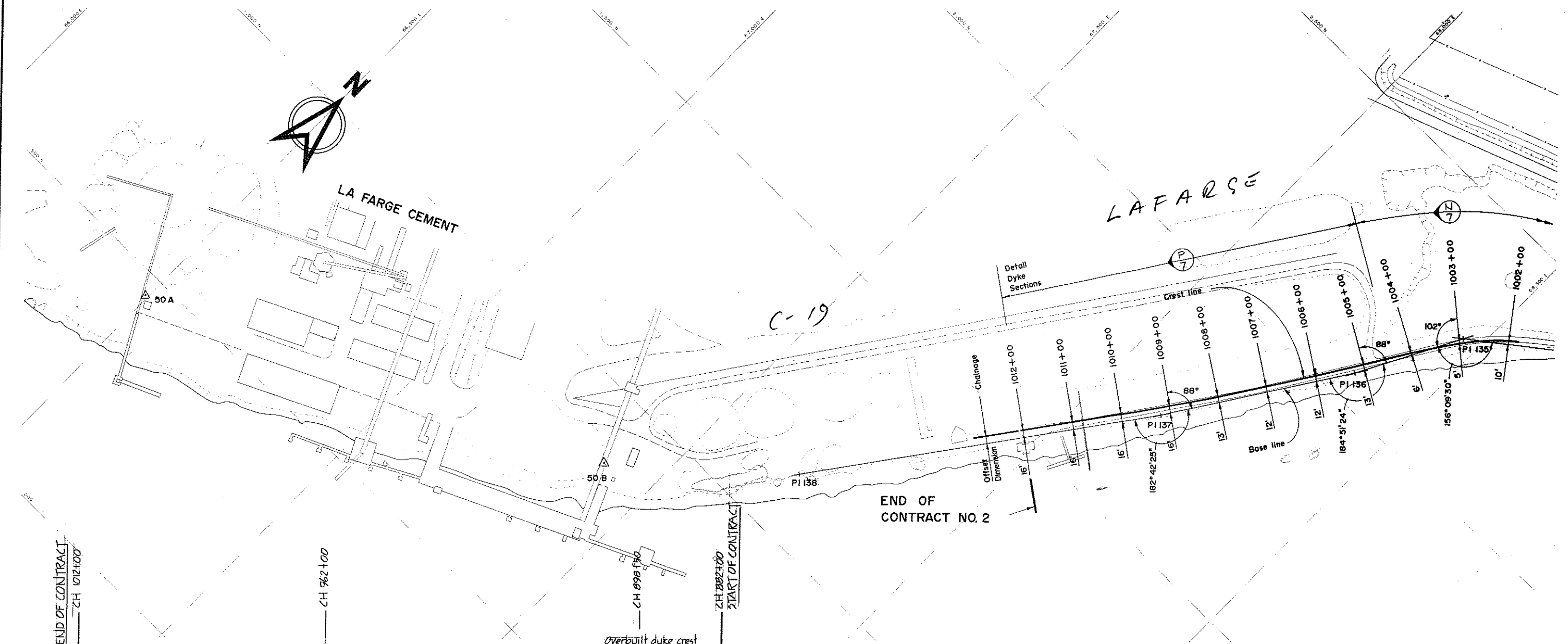


RECOMMENDED	<i>John Stiller</i> CHIEF, PROJECTS DIV.
DATE	<i>Feb 22/74</i>
APPROVED	<i>R. Prescott</i> DIRECTOR
DATE	<i>Feb 22/74</i>

BRITISH COLUMBIA
DEPARTMENT OF LANDS, FORESTS AND WATER RESOURCES
WATER RESOURCES SERVICE
WATER INVESTIGATIONS BRANCH
CANADA - BRITISH COLUMBIA
FRASER RIVER FLOOD CONTROL 1968 AGREEMENT
PROJECT NO. 3 - THE TOWNSHIP OF RICHMOND
CONTRACT NO. 2 - SOUTH DYKE IMPROVEMENTS EAST OF LAFARGE
ALIGNMENT PLAN

DESIGNED	DLC & DJB	SURVEYED	ES
DRAWN	SH	DATE	1969/70
CHECKED	PR	FILE NO.	0281550-C10-2
SCALE	As shown	DATE	Dec. 1973
DWG. NO.	4795-2-3	SHEET	2 of 3 SHEETS

Prepared by:
CBA ENGINEERING LTD.
CONSULTING ENGINEERS - VANCOUVER - CANADA

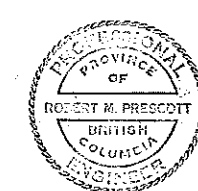
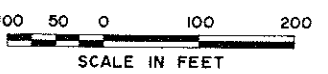


BASE LINE DATA					
PI	BEARING	CHAINAGE	INTERVAL	CO - ORDINATES	
				NORTH	EAST
135	S 28° 46' 31" W	1002+90.09	230.19	2 259.08	68 462.64
136	S 33° 37' 55" W	1005+20.28	399.91	2 057.32	68 351.84
137	S 36° 20' 20" W	1009+20.19	740.20	1 724.35	68 130.34
138		1016+60.39		1 128.10	67 691.73

SURVEY MONUMENTS			
MON	TYPE	CO-ORDINATES	
		NORTH	EAST
50A	PIPE IN CONCRETE	458.78	66 495.04
50B	DITTO	871.17	67 397.99

NOTES:
 *For Notes & Legend see 4795-2-2.

PROFILE SHOWING RELATIONSHIP OF
 DYKE DESIGN CREST TO DESIGN WATER LEVEL
 SCALE: 1"=1000' Vert
 1"=100' Hor



RECOMMENDED	<i>John Fuller</i> CHIEF, PROJECTS DIV.
DATE	<i>Feb 22/74</i>
APPROVED	<i>M. J. [Signature]</i> DIRECTOR
DATE	<i>Feb 22/74</i>

BRITISH COLUMBIA
 DEPARTMENT OF LANDS, FORESTS AND WATER RESOURCES
 WATER RESOURCES SERVICE
 WATER INVESTIGATIONS BRANCH
 CANADA - BRITISH COLUMBIA
 FRASER RIVER FLOOD CONTROL 1968 AGREEMENT
 PROJECT NO. 3 - THE TOWNSHIP OF RICHMOND
 CONTRACT NO. 2 - SOUTH DYKE IMPROVEMENTS EAST OF LAFARGE
 ALIGNMENT PLAN

DESIGNED	DLC & DJB	SURVEYED	E5
DRAWN	SH	DATE	1969/70
CHECKED	PR	FILE NO.	0281550-C10-2
SCALE	As shown	DATE	Dec. 1973
DWG. NO.	4795-2-4	SHEET	3 OF 3 SHEETS

Prepared by:
CBA ENGINEERING LTD.
 CONSULTING ENGINEERS - VANCOUVER - CANADA

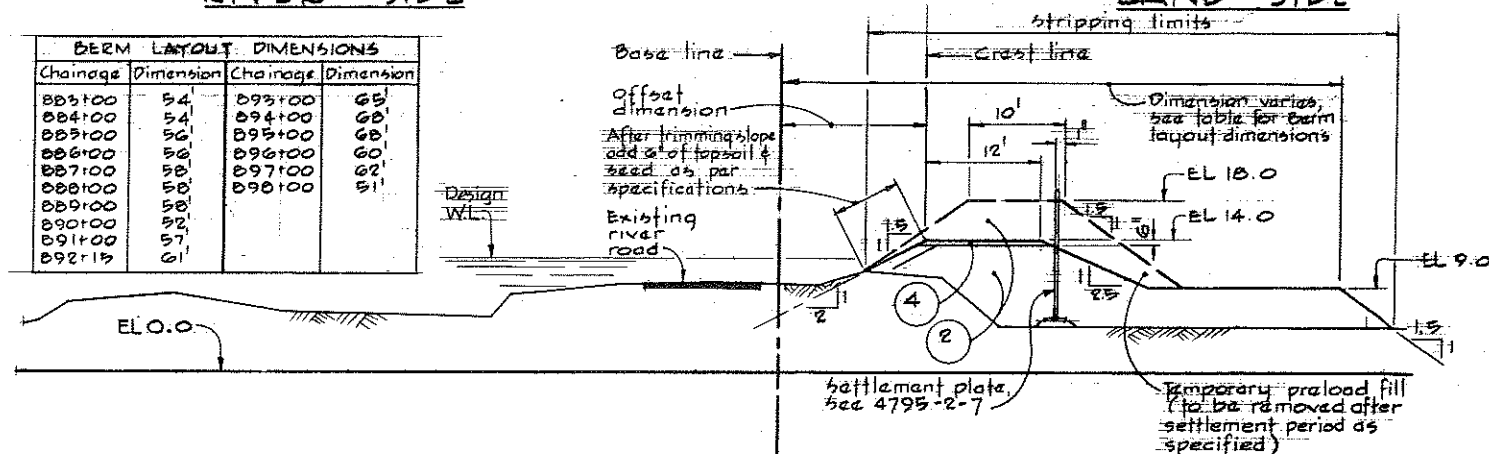
RIVER SIDE

LAND SIDE

RIVER SIDE

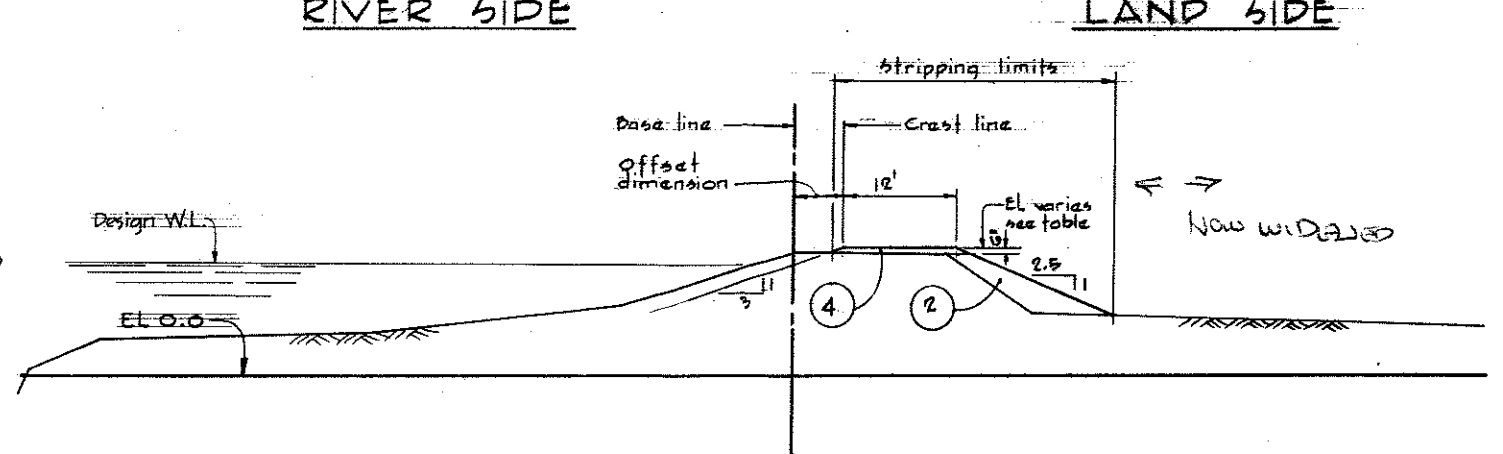
LAND SIDE

BERM LAYOUT DIMENSIONS			
Chainage	Dimension	Chainage	Dimension
883+00	54'	895+00	65'
884+00	54'	894+00	66'
885+00	56'	895+00	66'
886+00	56'	896+00	66'
887+00	58'	897+00	66'
888+00	58'	898+00	52'
889+00	58'		
890+00	57'		
891+00	57'		
892+15	61'		



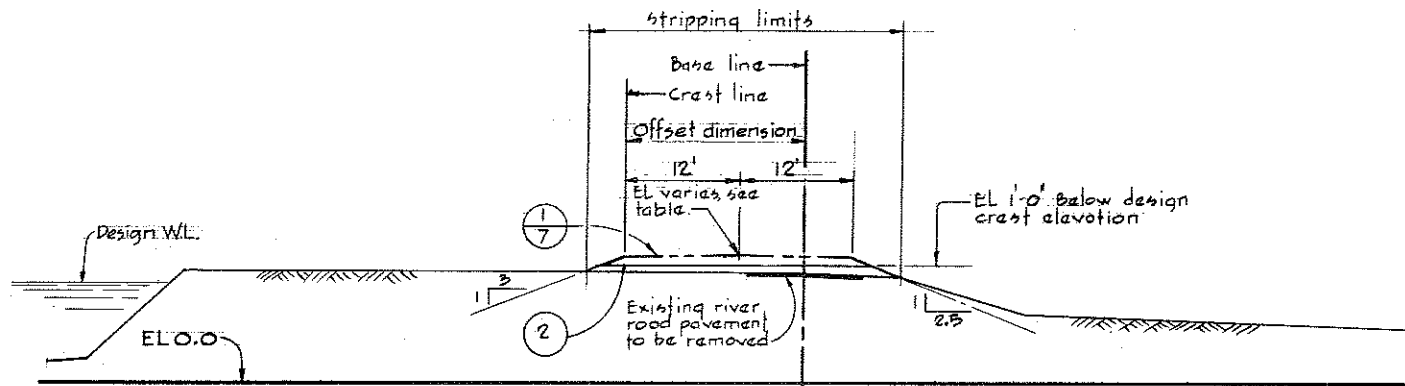
SECTION $\frac{A}{2}$

TYP BTWN CH 883+00 TO CH 898+00



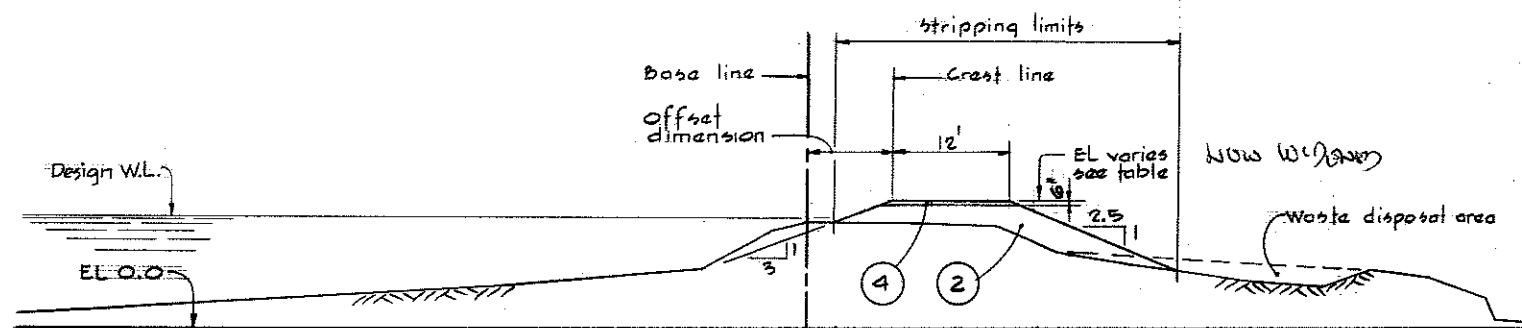
SECTION $\frac{B}{2}$

TYP BTWN CH 914+00 TO CH 921+50



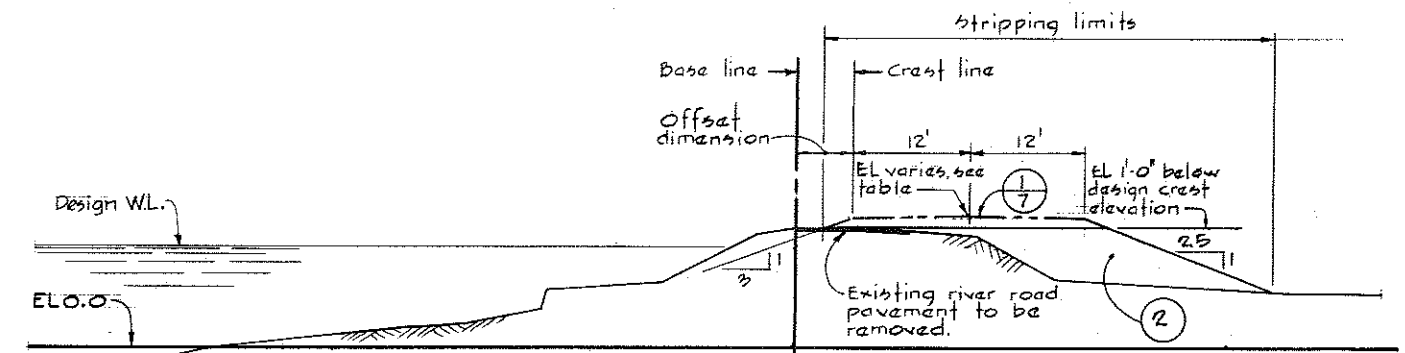
SECTION $\frac{C}{2}$

TYP BTWN CH 899+00 TO CH 901+50



SECTION $\frac{D}{5}$

TYP BTWN CH 921+50 TO CH 932+65
 & CH 935+60 TO CH 936+75



SECTION $\frac{E}{2}$

TYP BTWN CH 901+50 TO CH 913+00

STATION CHAINAGE	DESIGN CREST ELEVATION	STATION CHAINAGE	DESIGN CREST ELEVATION
899+00	13.36	914+00	13.32
900+00	13.36	915+00	13.32
901+00	13.35	916+00	13.32
902+10	13.35	917+00	13.31
903+00	13.35	918+20	13.31
904+00	13.35	919+00	13.31
905+00	13.34	920+00	13.31
906+00	13.34	921+00	13.30
907+00	13.34	922+00	13.30
908+00	13.34	923+00	13.30
909+00	13.33	924+00	13.30
910+00	13.33	925+20	13.29
911+00	13.33	926+25	13.29
912+00	13.33	927+00	13.29
913+00	13.32	927+60	13.29
		929+00	13.28
		929+75	13.28
		931+20	13.28
		932+00	13.28
		933+15	13.27
		934+30	13.27
		935+00	13.27
		936+25	13.27
		937+20	13.26

NOTE
 Design crest elevations between ch 899+00 and 913+00 are at $\frac{1}{4}$ of road.

MATERIAL LEGEND

- (1) silt
- (2) sand
- (3) sand, gravel, cobbles
- (4) Crushed gravel
- (5) light riprap

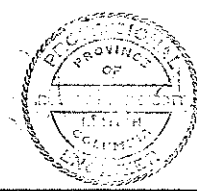
LEGEND

- (---) Existing ground surface
- ($\frac{A}{2}$) section identification letter Drawing No. which shows the location of the section (ie) 4795-2-[2]
- ($\frac{2}{7}$) Detail identification number Drawing No. on which the detail is drawn (ie) 4795-2-[7]



NOTES

Elevations refer to the Geodetic Survey of Canada.
 For offset dimensions see appropriate chainage on Alignment Plans.
 Offset distances from base line to crest line are taken at the design crest elevation.

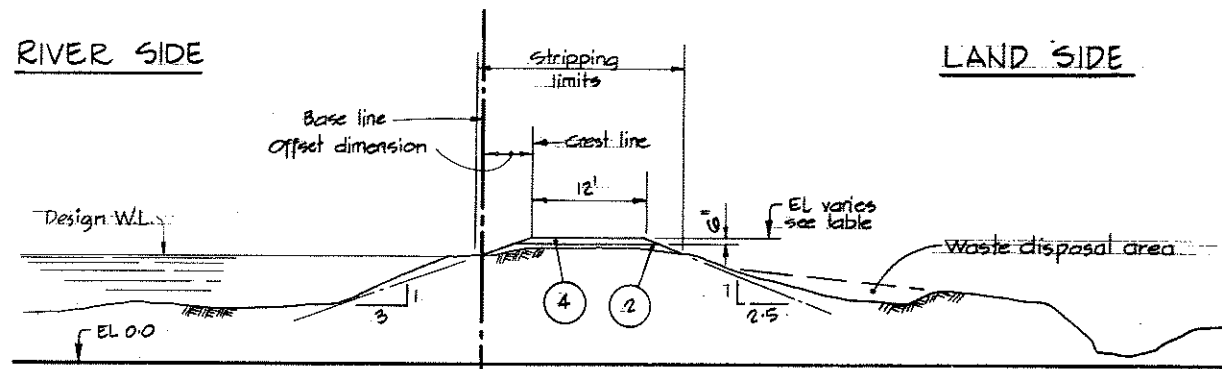


CBA ENGINEERING LTD.
 CONSULTING ENGINEERS - VANCOUVER - CANADA

RECOMMENDED <i>W. Muller</i> CHIEF, PROJECTS DIV.	BRITISH COLUMBIA DEPARTMENT OF LANDS, FORESTS AND WATER RESOURCES WATER RESOURCES SERVICE WATER INVESTIGATIONS BRANCH CANADA - BRITISH COLUMBIA FRASER RIVER FLOOD CONTROL 1968 AGREEMENT	DESIGNED DLC & DJB	SURVEYED ES
DATE <i>Feb 20/74</i>	PROJECT NO. 3 - THE TOWNSHIP OF RICHMOND	DRAWN HW	DATE 1969/70
APPROVED <i>W. Muller</i> DIRECTOR	CONTRACT NO. 2 - SOUTH DYKE IMPROVEMENTS EAST OF LAFARGE	CHECKED PR	FILE NO. 0281550-C10-2
DATE <i>Feb 21/74</i>	TYPICAL DYKE SECTIONS	SCALE As shown	DATE Dec. 1973
		DWG. NO. 4795-2-5	SHEET 1 OF 3 SHEETS

RIVER SIDE

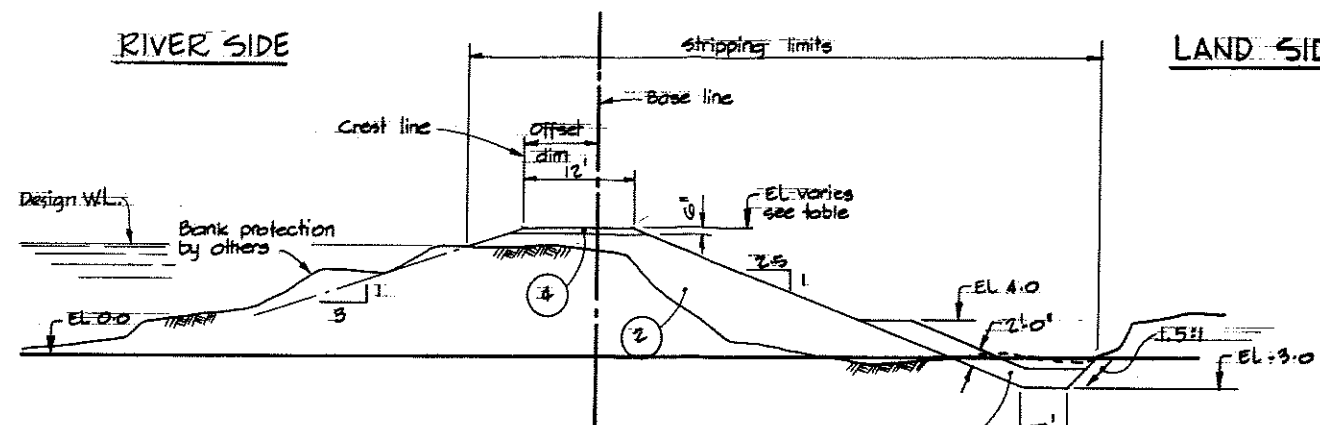
LAND SIDE



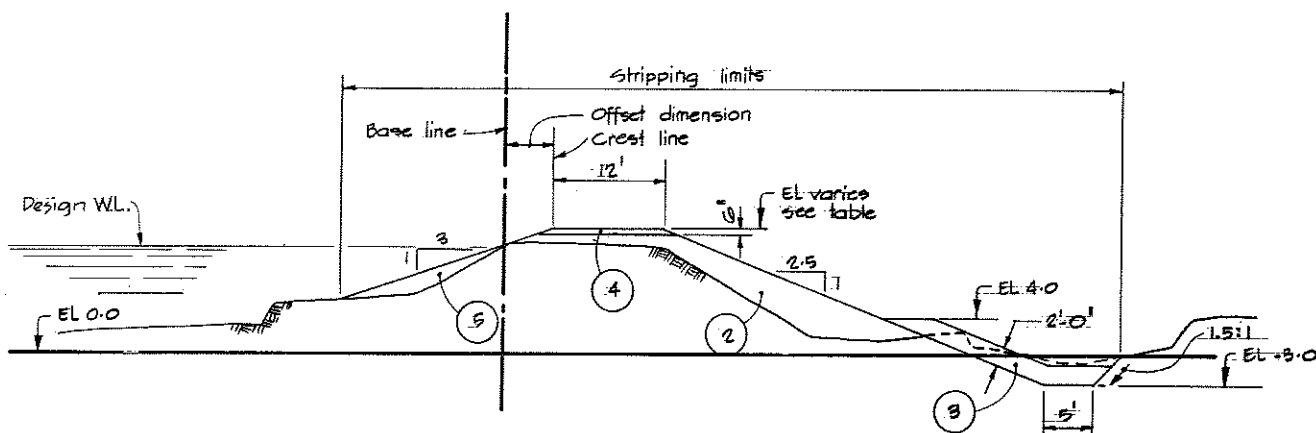
SECTION $\frac{F}{2}$
TYP BTWN CH 932+65 TO 935+60

RIVER SIDE

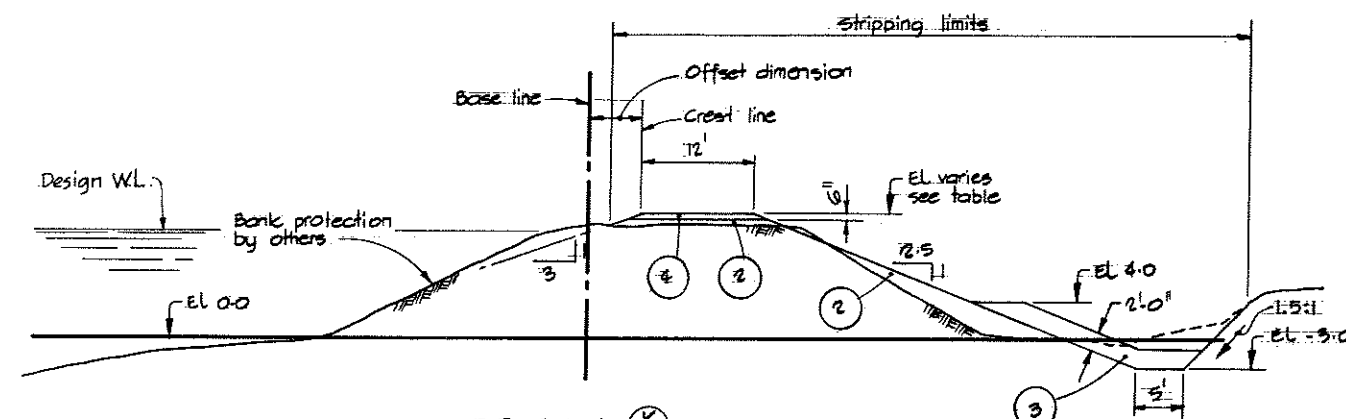
LAND SIDE



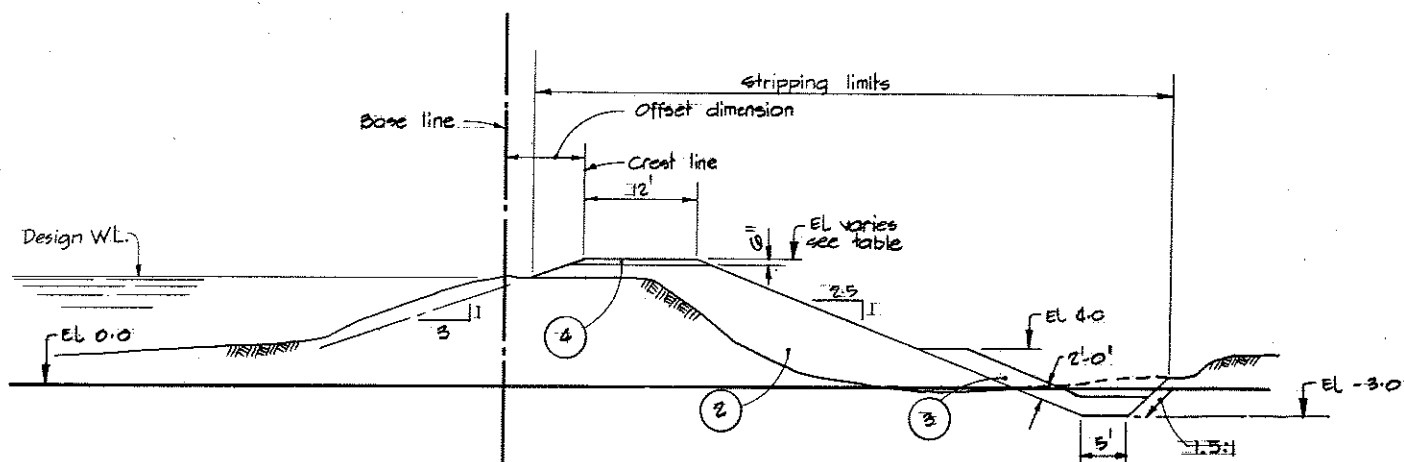
SECTION $\frac{J}{3}$
TYP BTWN CH 963+00 TO 975+50



SECTION $\frac{G}{2}$ $\frac{G}{3}$
TYP BTWN CH 936+75 TO 943+50



SECTION $\frac{K}{3}$
TYP BTWN CH 975+50 TO 983+50
988+50 TO 998+50



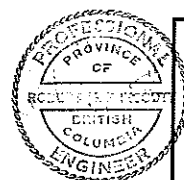
SECTION $\frac{H}{3}$
TYP BTWN CH 943+50 TO 963+00

STATION CHAINAGE	DESIGN CREST ELEVATION
932+00	13.28
933+15	13.27
934+30	13.27
935+00	13.27
936+25	13.27
937+20	13.26
938+00	13.26
939+00	13.26
940+00	13.26
941+00	13.25
942+00	13.25
943+00	13.25
944+00	13.24
945+00	13.24
946+00	13.24
946+85	13.24
948+00	13.24
949+20	13.23
949+30	13.23
951+00	13.23
952+00	13.23
953+00	13.22
954+00	13.22
955+00	13.22
956+00	13.22
957+00	13.21
958+00	13.21
959+00	13.21
960+00	13.21
961+00	13.20
962+00	13.20
963+00	13.19
964+00	13.18
965+00	13.17
966+00	13.17
967+00	13.16

STATION CHAINAGE	DESIGN CREST ELEVATION
968+00	13.15
969+00	13.14
970+00	13.13
971+00	13.12
972+00	13.12
973+00	13.11
974+00	13.10
975+00	13.09
976+00	13.08
977+00	13.07
978+00	13.06
979+00	13.06
980+00	13.05
981+00	13.04
982+00	13.03
983+00	13.02
984+00	13.01
985+00	13.00
986+00	13.00
987+00	12.99
988+00	12.98
989+00	12.97
990+00	12.96
991+00	12.95
992+00	12.95
993+00	12.94
994+00	12.93
995+00	12.92
996+00	12.91
997+00	12.90
998+00	12.90
999+00	12.89



NOTES:
For Notes, Material legend and Legend see 4795-2-5.



CBA ENGINEERING LTD.
CONSULTING ENGINEERS - VANCOUVER - CANADA

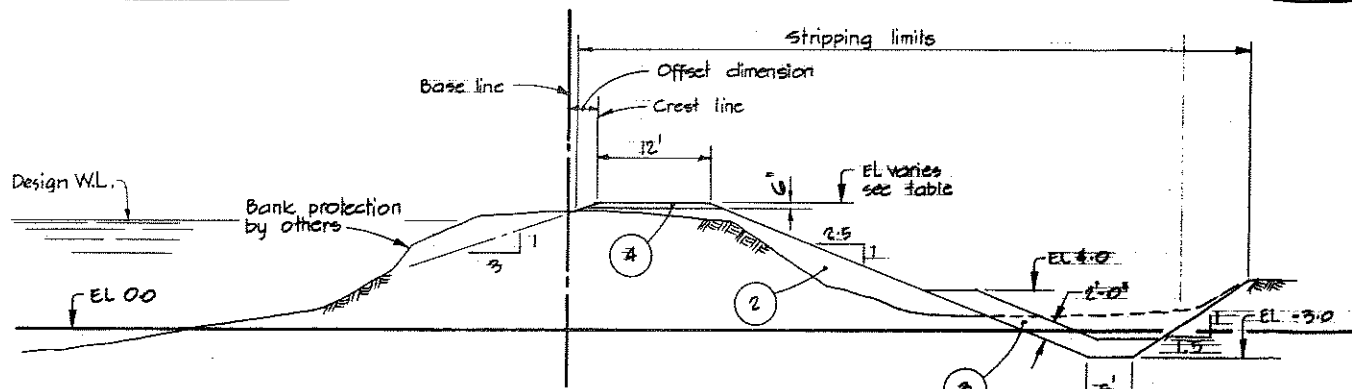
RECOMMENDED	<i>Phil Fuller</i> CHIEF, PROJECTS DIV.
DATE	<i>Feb 20/74</i>
APPROVED	<i>Director</i> DIRECTOR
DATE	<i>Feb 25/74</i>

BRITISH COLUMBIA
DEPARTMENT OF LANDS, FORESTS AND WATER RESOURCES
WATER RESOURCES SERVICE
WATER INVESTIGATIONS BRANCH
CANADA - BRITISH COLUMBIA
FRASER RIVER FLOOD CONTROL 1968 AGREEMENT
PROJECT NO. 3 - THE TOWNSHIP OF RICHMOND
CONTRACT NO. 2 - SOUTH DYKE IMPROVEMENTS EAST OF LAFARGE
TYPICAL DYKE SECTIONS

DESIGNED	DLC & DJB	SURVEYED	ES
DRAWN	SH	DATE	1969/70
CHECKED	PR	FILE NO.	0281550-C10-2
SCALE	As shown	DATE	Dec, 1973
DWG. NO.	4795-2-6	SHEET	2 OF 3 SHEETS

RIVER SIDE

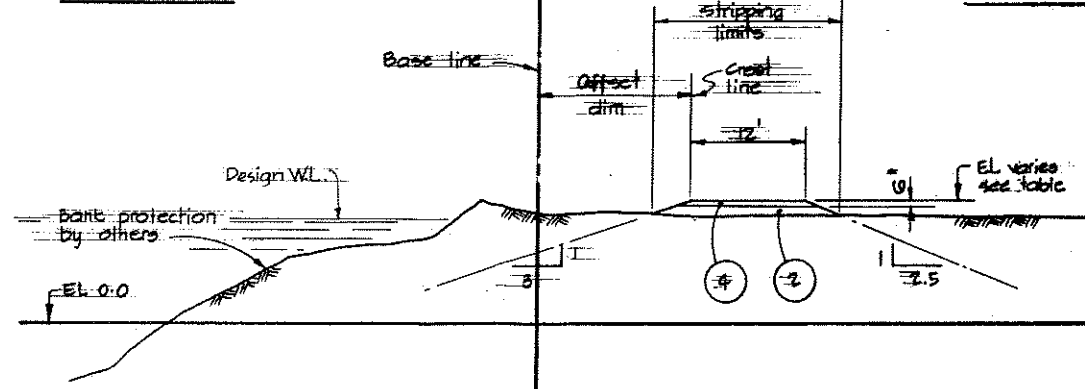
LAND SIDE



SECTION $\frac{L}{3}$
TYP BTWN CH 983+50 TO 987+50

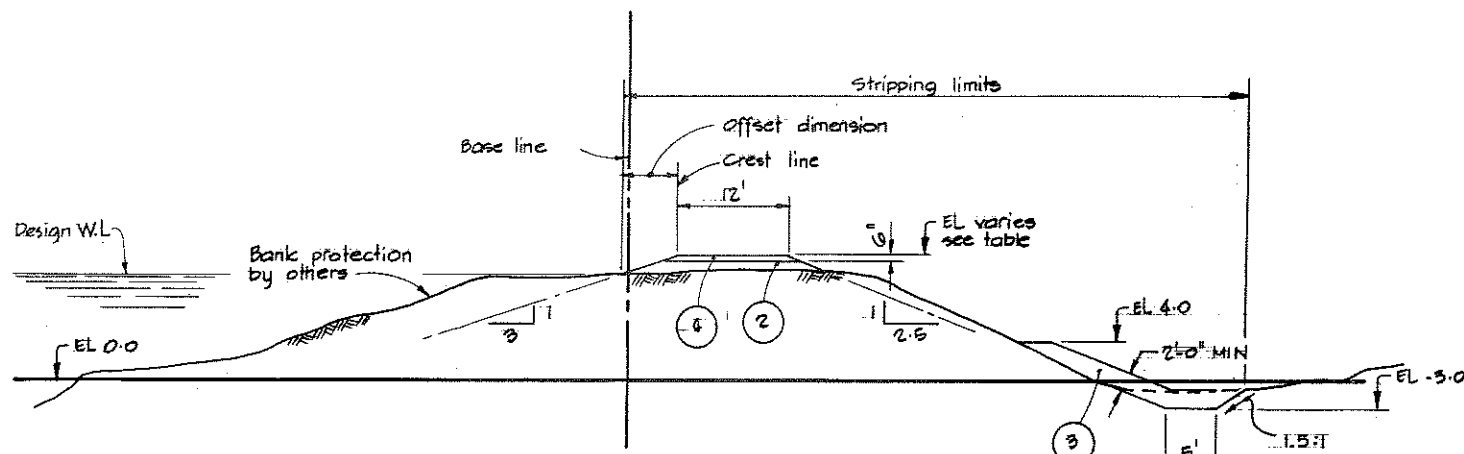
RIVER SIDE

LAND SIDE



SECTION $\frac{P}{4}$
TYP BTWN CH 1004+50 TO 1012+00

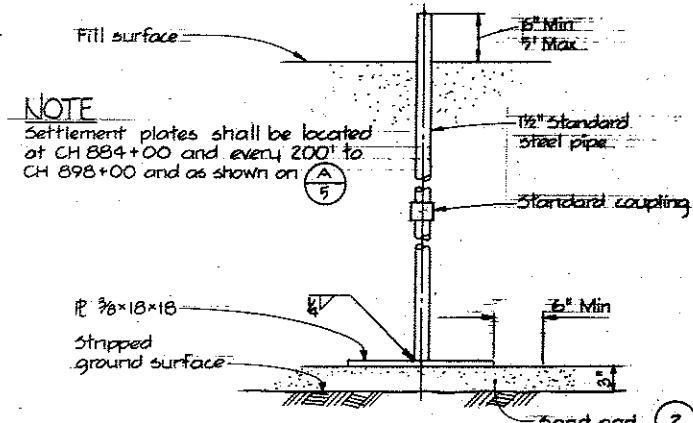
SCALE IN FEET



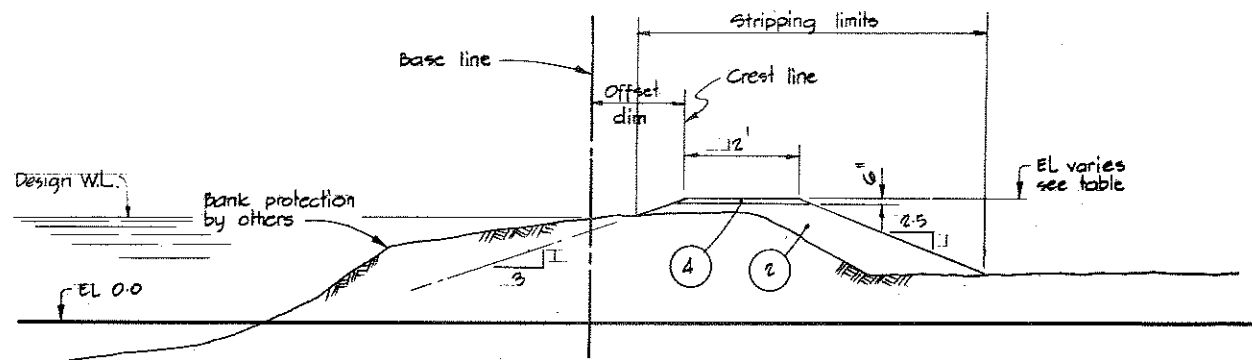
SECTION $\frac{M}{3}$
TYP BTWN CH 987+50 TO 988+50

STATION CHAINAGE	DESIGN CREST ELEVATION
983+00	13.02
984+00	13.01
985+00	13.0
986+00	13.0
987+00	12.99
988+00	12.98
989+00	12.97
990+00	12.96
991+00	12.95
992+00	12.95
993+00	12.94
994+00	12.93
995+00	12.92
996+00	12.91
997+00	12.90

STATION CHAINAGE	DESIGN CREST ELEVATIONS
998+00	12.90
999+00	12.89
1000+00	12.88
1001+00	12.87
1002+00	12.86
1003+00	12.85
1004+00	12.84
1005+00	12.84
1006+00	12.83
1007+00	12.82
1008+00	12.81
1009+00	12.80
1010+00	12.79
1011+00	12.79
1012+00	12.78

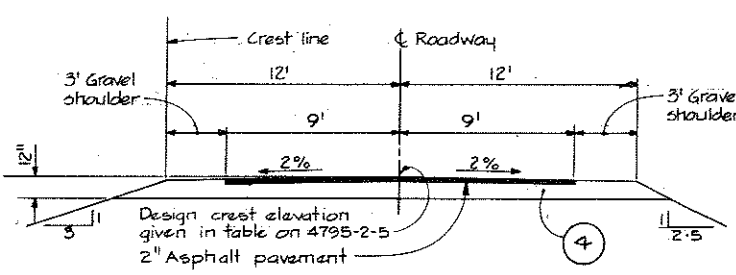


SETTLEMENT PLATE
NTS



SECTION $\frac{N}{3}$ $\frac{N}{4}$
TYP BTWN CH 1000+00 TO 1004+50

SCALE IN FEET



DETAIL $\frac{1}{5}$
PAVED ROAD
SCALE IN FEET

NOTES:
For Notes, Materials Legend and Legend see 4795-2-5.



CBA ENGINEERING LTD.
CONSULTING ENGINEERS - VANCOUVER - CANADA

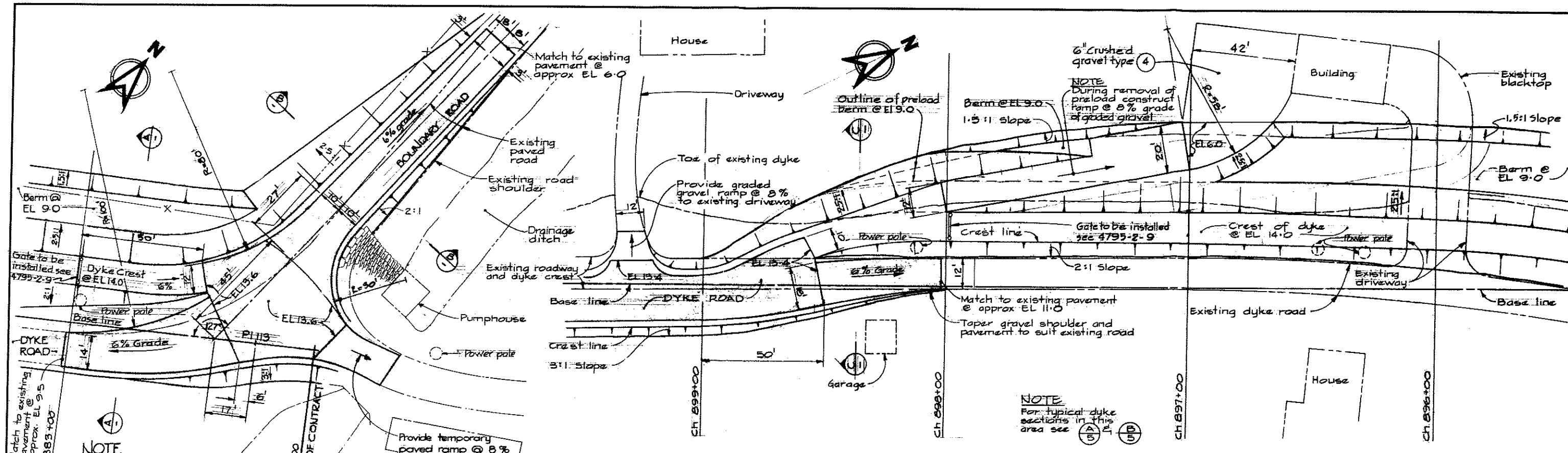
RECOMMENDED	<i>W.D. Fuller</i> CHIEF, PROJECTS DIV.
DATE	<i>Feb 28/74</i>
APPROVED	<i>P. [Signature]</i> DIRECTOR
DATE	<i>Feb 28/74</i>

BRITISH COLUMBIA
DEPARTMENT OF LANDS, FORESTS AND WATER RESOURCES
WATER INVESTIGATIONS SERVICE
WATER INVESTIGATIONS BRANCH
CANADA - BRITISH COLUMBIA
FRASER RIVER FLOOD CONTROL 1968 AGREEMENT

PROJECT NO. 3 - THE TOWNSHIP OF RICHMOND
CONTRACT NO. 2 - SOUTH DYKE IMPROVEMENTS EAST OF LAFARGE

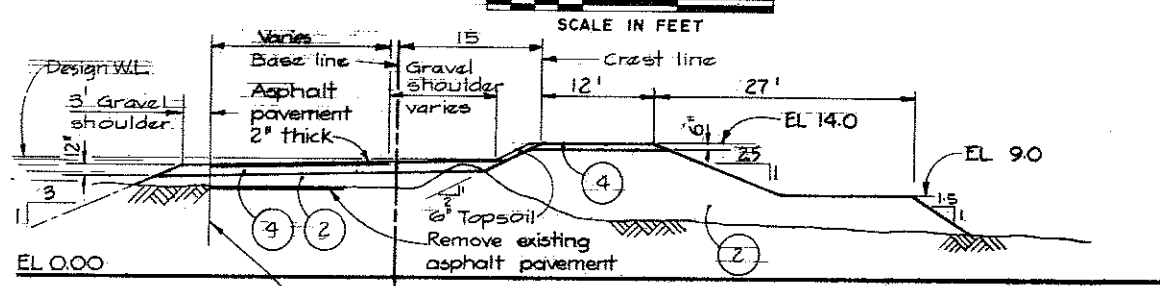
TYPICAL DYKE SECTIONS

DESIGNED	<i>DLC & DJB</i>	SURVEYED	<i>ES</i>
DRAWN	<i>SH</i>	DATE	<i>1969/70</i>
CHECKED	<i>PR</i>	FILE NO.	<i>0281550-CIO-2</i>
SCALE	<i>As shown</i>	DATE	<i>Dec, 1973</i>
DWG. NO.	<i>4795-2-7</i>	SHEET	<i>3 OF 3 SHEETS</i>



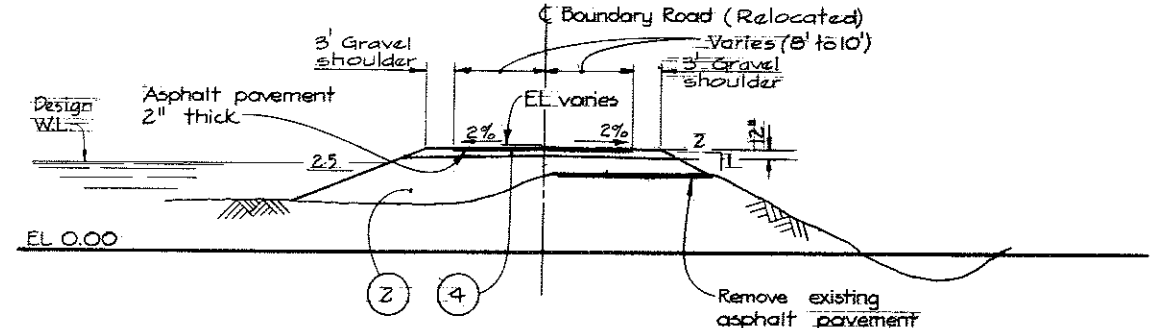
INTERSECTION BOUNDARY ROAD AND DYKE ROAD

INTERSECTION RELOCATED DYKE AND DYKE ROAD

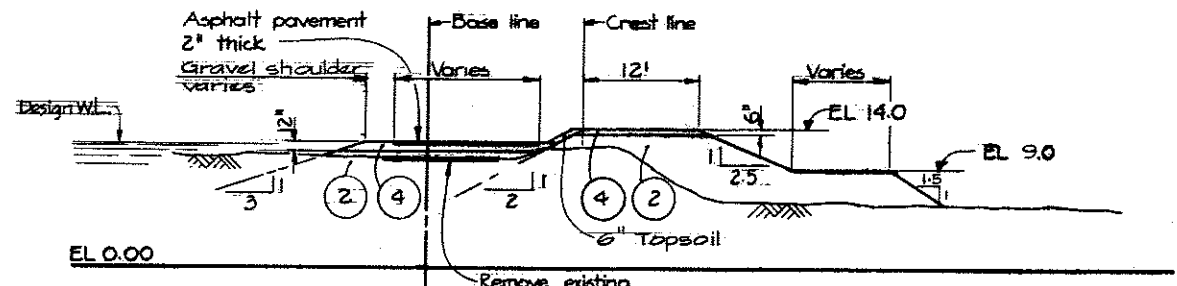


River side edge of new pavement to line up with edge of existing pavement.

SECTION A SCALE IN FEET



SECTION B SCALE IN FEET



SECTION C SCALE IN FEET

MATERIAL LEGEND

- (1) Silt
- (2) Sand
- (3) Sand, gravel, cobbles
- (4) Crushed gravel
- (5) Light rip-rap

LEGEND

- Power pole to be relocated.
- Existing ground surface (section).
- Existing ground structures (plan).
- Section identification letter.
- Drawing No. on which the section is drawn (ie) 4795-2-[7].
- Detail identification number.
- Drawing No. on which the detail is drawn (ie) 4795-2-[7].
- Road surface to be paved (plan).

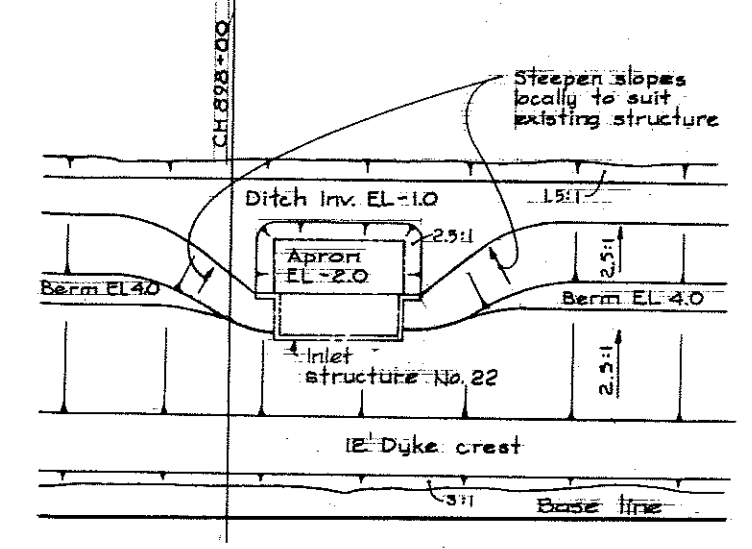
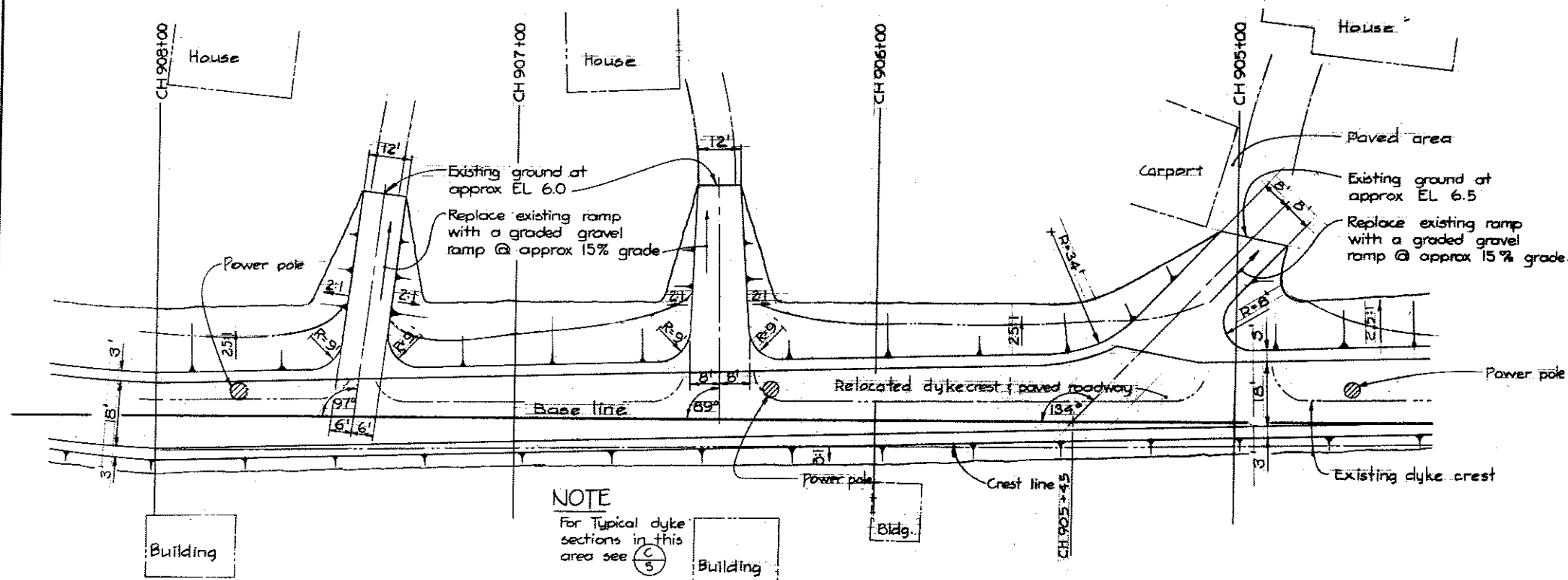
NOTES

- Elevations refer to the Geodetic Survey of Canada.
- For offset dimensions see appropriate chainage on Alignment plans.
- Offset distances from base line to crest line are taken at the design crest elevation.



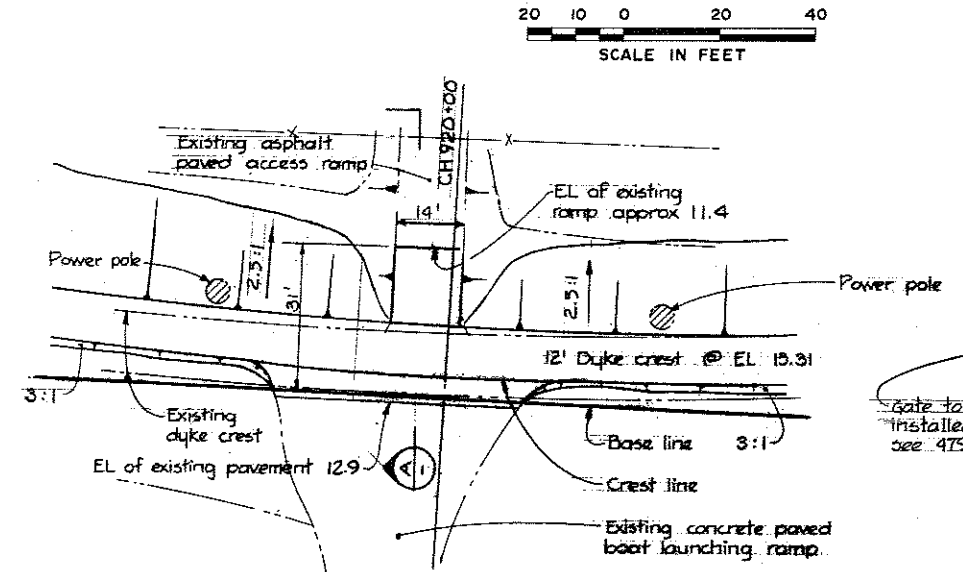
CBA ENGINEERING LTD.
CONSULTING ENGINEERS - VANCOUVER - CANADA

RECOMMENDED <i>John Fuller</i> CHIEF, PROJECTS DIV.	BRITISH COLUMBIA DEPARTMENT OF LANDS, FORESTS AND WATER RESOURCES WATER RESOURCES SERVICE WATER INVESTIGATIONS BRANCH CANADA - BRITISH COLUMBIA FRASER RIVER FLOOD CONTROL 1968 AGREEMENT	DESIGNED <i>DLG & DJB</i>	SURVEYED <i>ES</i>
DATE <i>Feb 20/74</i>	PROJECT NO. 3 - THE TOWNSHIP OF RICHMOND	DRAWN <i>SH</i>	DATE <i>1969/70</i>
APPROVED <i>PR</i> DIRECTOR	CONTRACT NO. 2 - SOUTH DYKE IMPROVEMENTS EAST OF LAFARGE	CHECKED <i>PR</i>	FILE NO. <i>0281550-C10-2</i>
DATE <i>Feb 25/74</i>	MISCELLANEOUS DETAILS	SCALE <i>As shown</i>	DATE <i>Dec, 1973</i>
		DWG. NO. <i>4795-2-8</i>	SHEET <i>1</i> OF <i>4</i> SHEETS

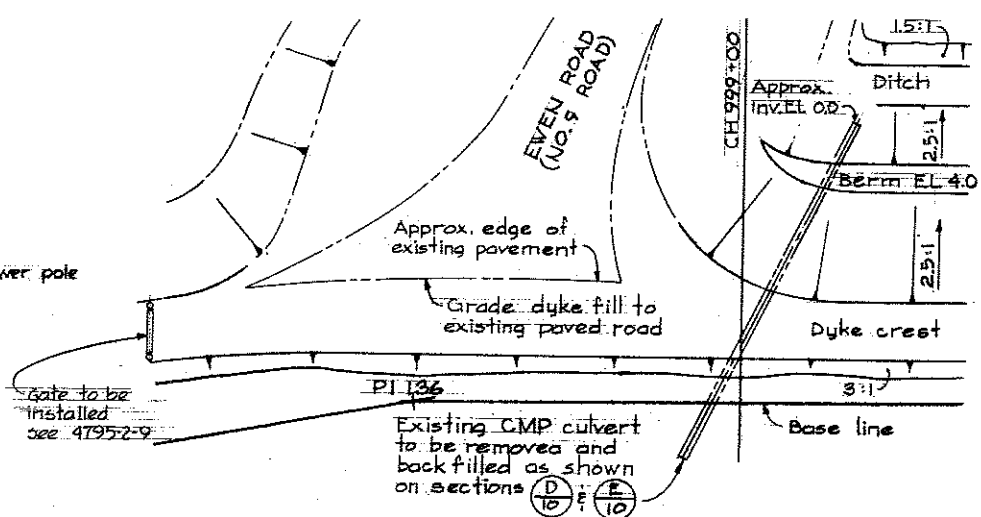


DRAINAGE & DISCHARGE STRUCTURE NO. 22
SCALE IN FEET

ACCESS RAMPS BETWEEN CH904+00 AND CH908+00

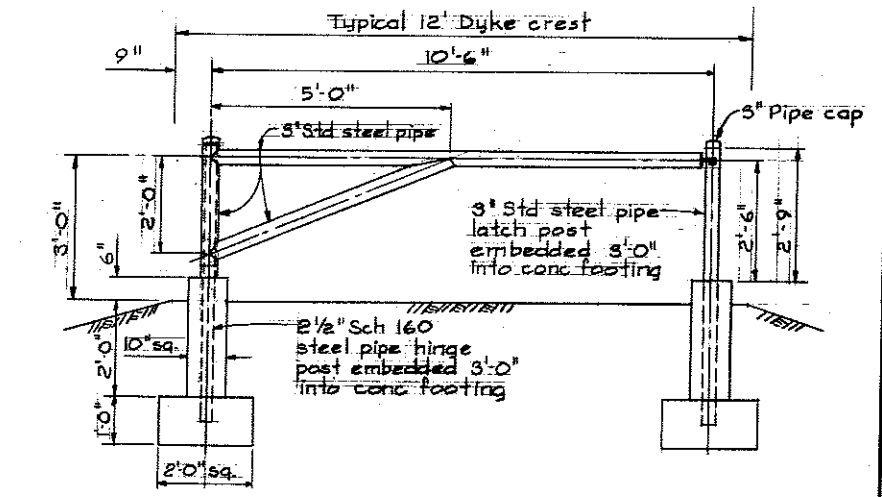


SCALE IN FEET

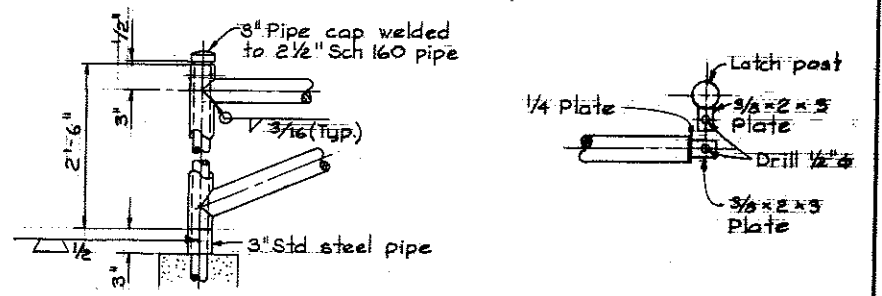


CULVERT REMOVAL AT CH 999+00 & DETAILS AT EWEN ROAD

SCALE IN FEET



ELEVATION

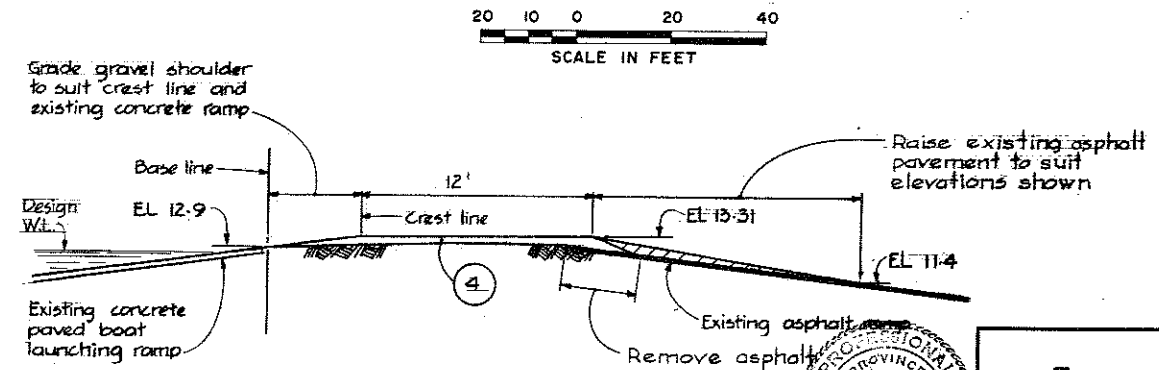


HINGE

LATCH

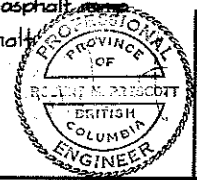
GATE DETAILS NTS

BOAT LAUNCHING & ACCESS RAMP NEAR CH 920+00



SECTION A-A
SCALE IN FEET

NOTES
For Notes, Material Legend and Legend see 4795-2-8

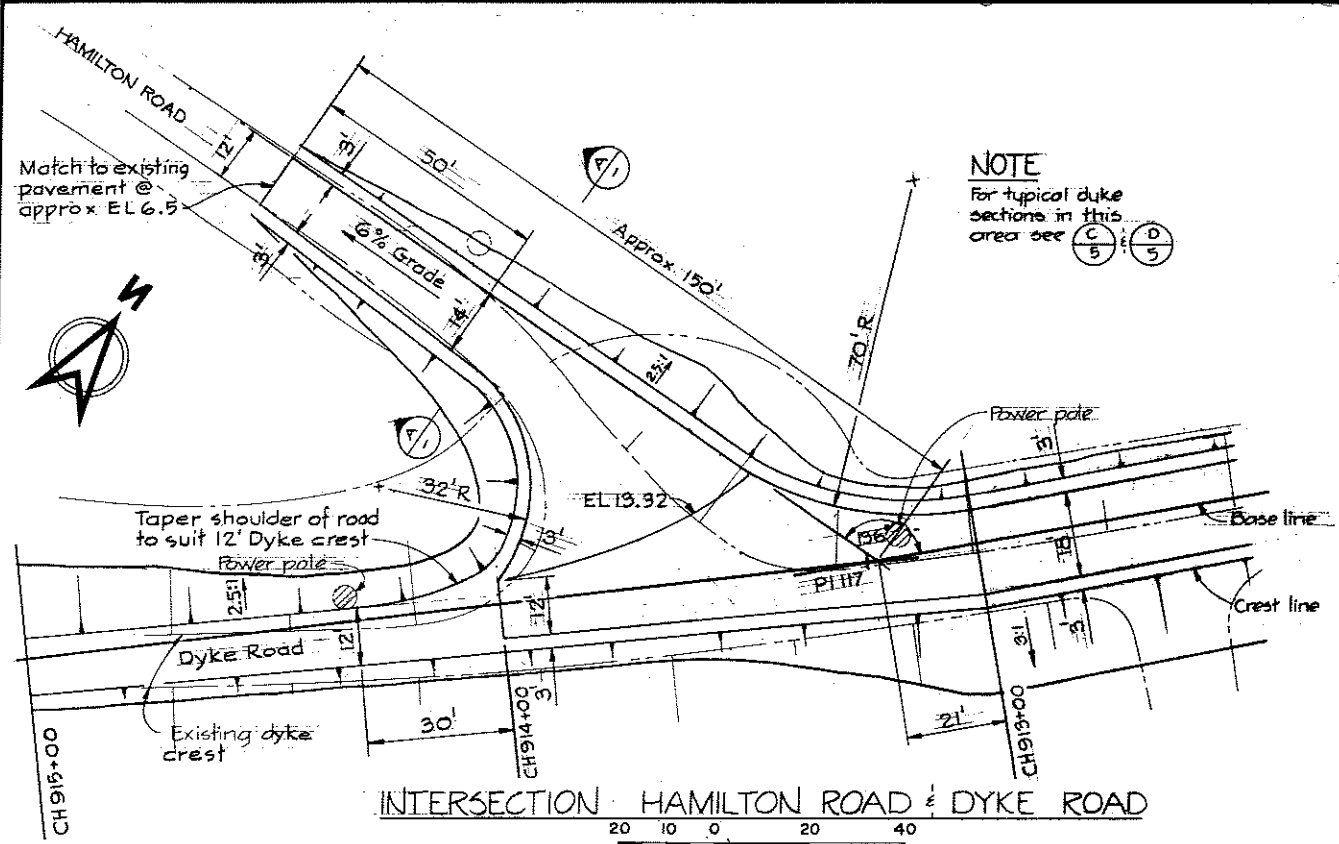


CBA ENGINEERING LTD.
CONSULTING ENGINEERS - VANCOUVER - CANADA

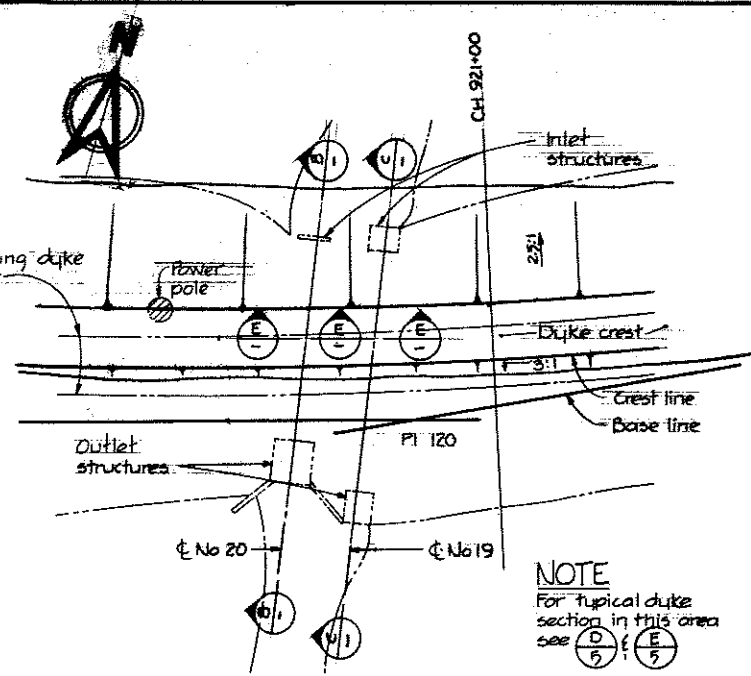
RECOMMENDED *John Miller*
CHIEF, PROJECTS DIV.
DATE *Feb 22/74*
APPROVED *P. Prescott*
DIRECTOR
DATE *Feb 22/74*

BRITISH COLUMBIA
DEPARTMENT OF LANDS, FORESTS AND WATER RESOURCES
WATER RESOURCES SERVICE
WATER INVESTIGATIONS BRANCH
CANADA - BRITISH COLUMBIA
FRASER RIVER FLOOD CONTROL 1968 AGREEMENT
PROJECT NO. 3 - THE TOWNSHIP OF RICHMOND
CONTRACT NO. 2 - SOUTH DYKE IMPROVEMENTS EAST OF LAFARGE
MISCELLANEOUS DETAILS

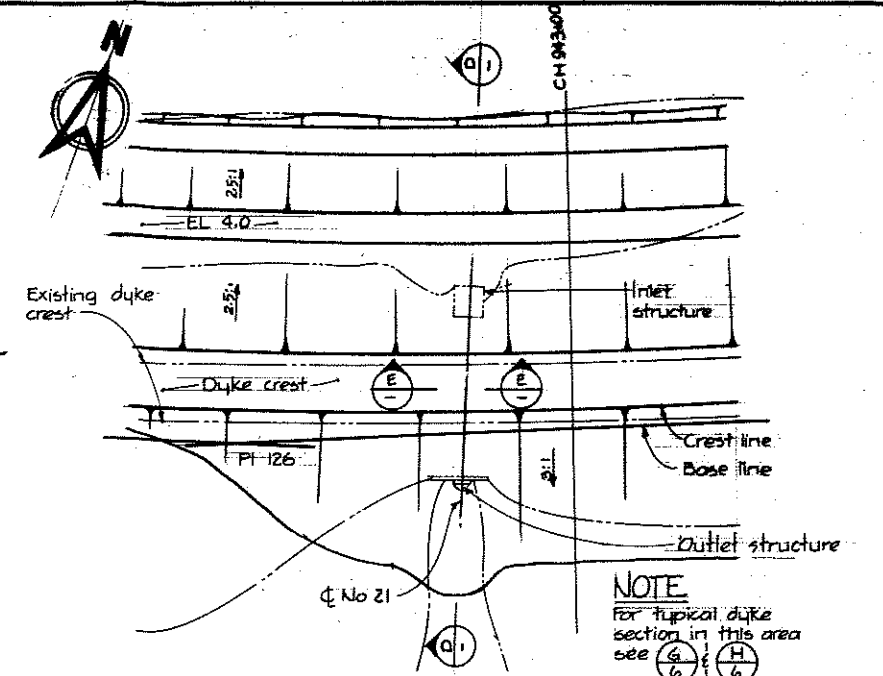
DESIGNED *DLC*
DRAWN *GO*
CHECKED *PR*
SCALE *As shown*
DWG. NO. *4795-2-9*
SURVEYED *ES & PR*
DATE *1969/70 & 1973*
FILE NO. *0201550-C10-2*
DATE *Dec. 1973*
SHEET *2* OF *4* SHEETS



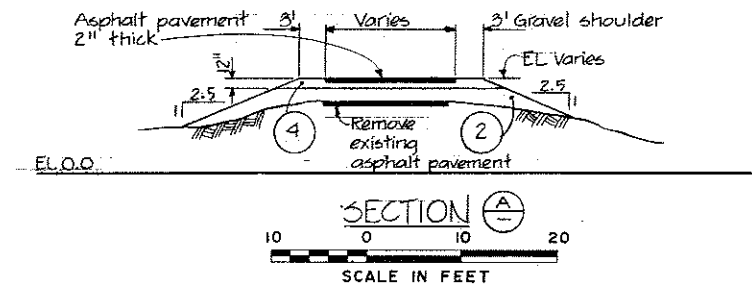
INTERSECTION HAMILTON ROAD & DYKE ROAD



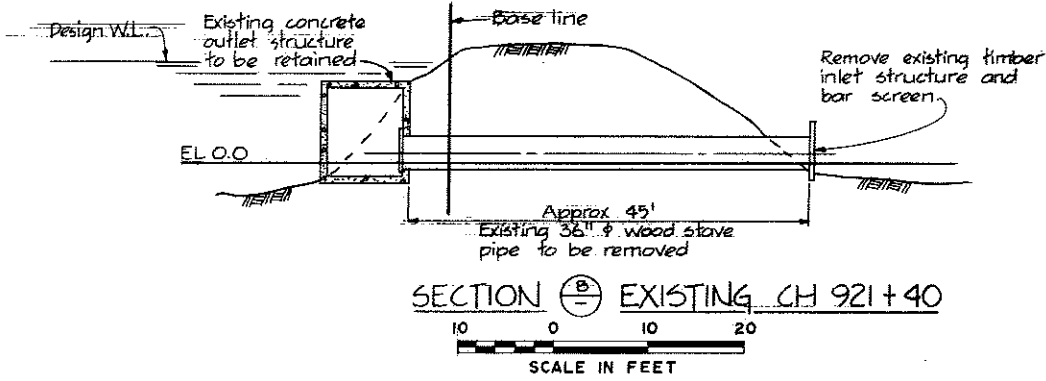
DRAINAGE DISCHARGE STRUCTURES NO 19 & 20



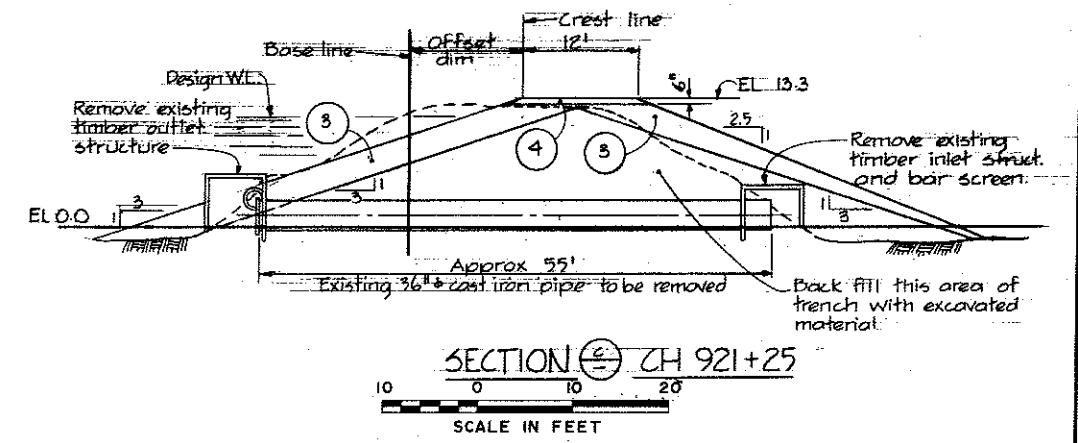
DRAINAGE DISCHARGE STRUCTURE NO 21



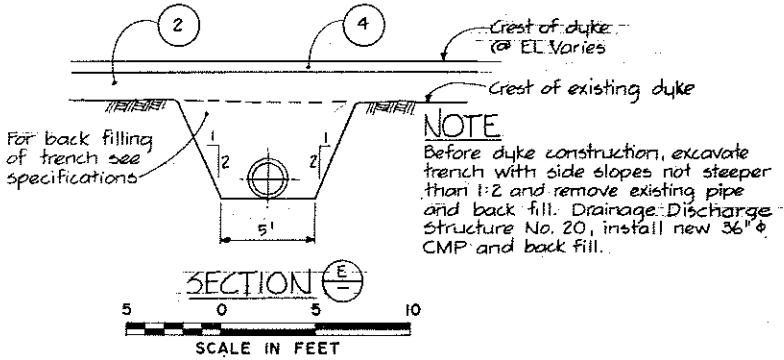
SECTION A



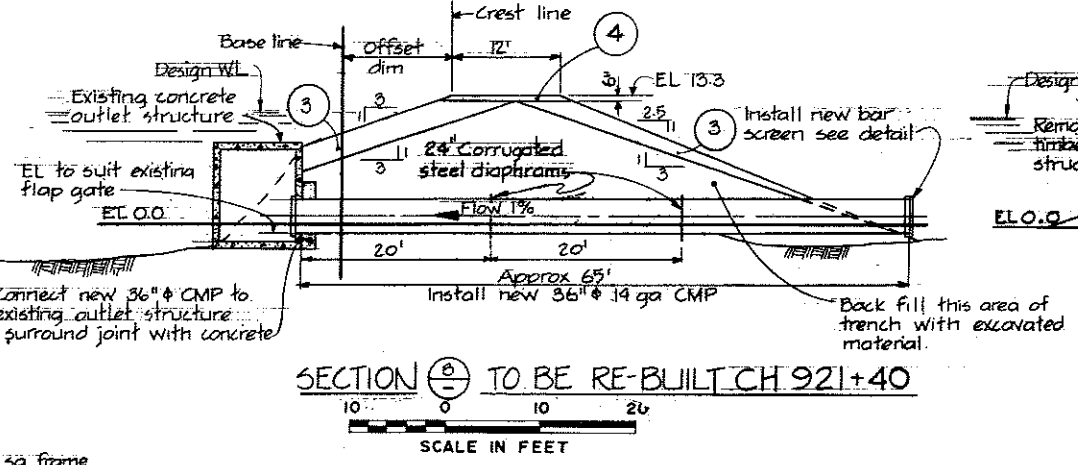
SECTION B EXISTING CH 921+40



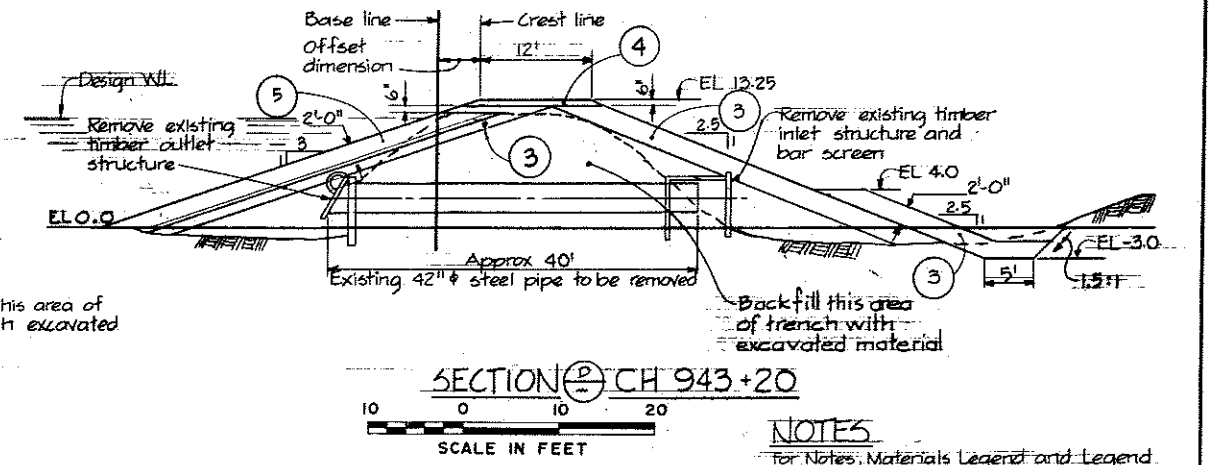
SECTION C CH 921+25



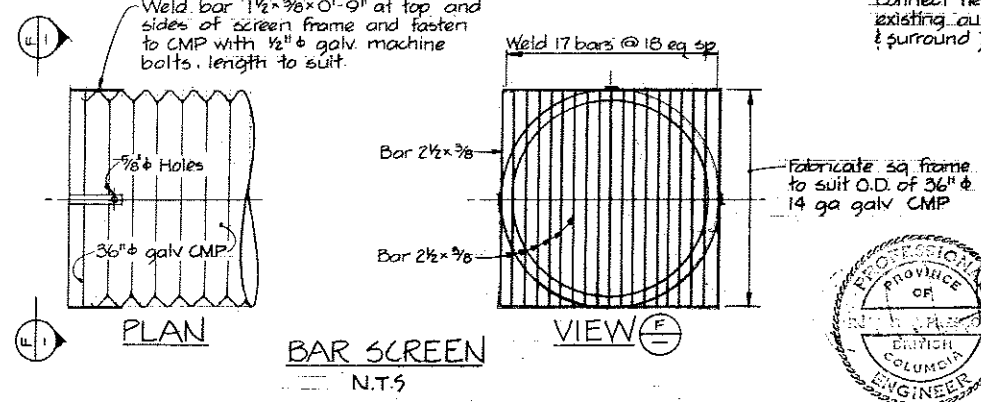
SECTION D



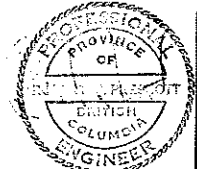
SECTION E TO BE RE-BUILT CH 921+40



SECTION F CH 943+20



NOTES
For Notes, Materials Legend and Legend see 4795-2-B

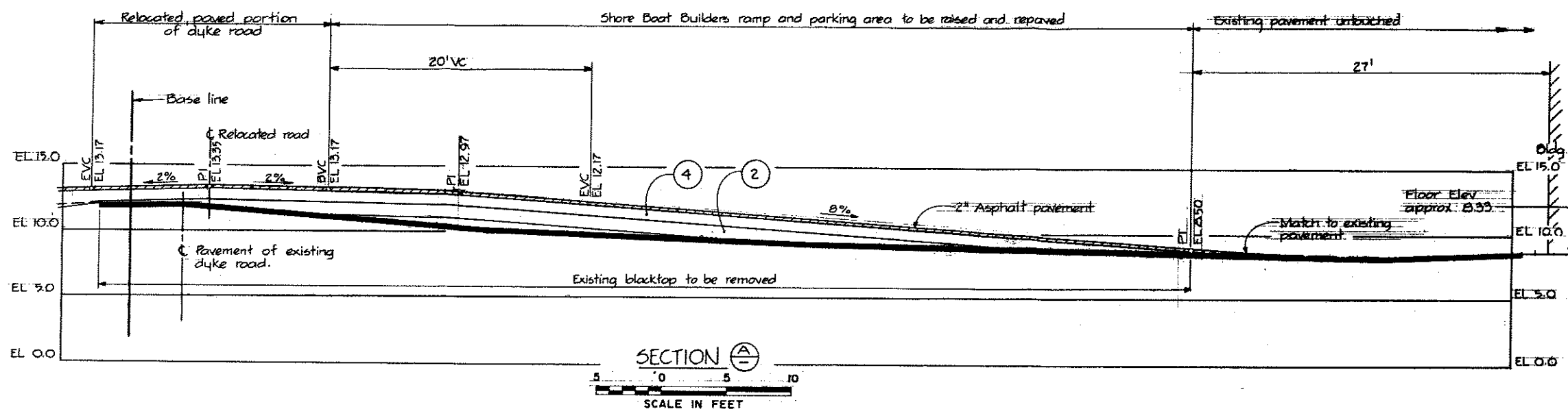


CBA ENGINEERING LTD.
CONSULTING ENGINEERS - VANCOUVER - CANADA

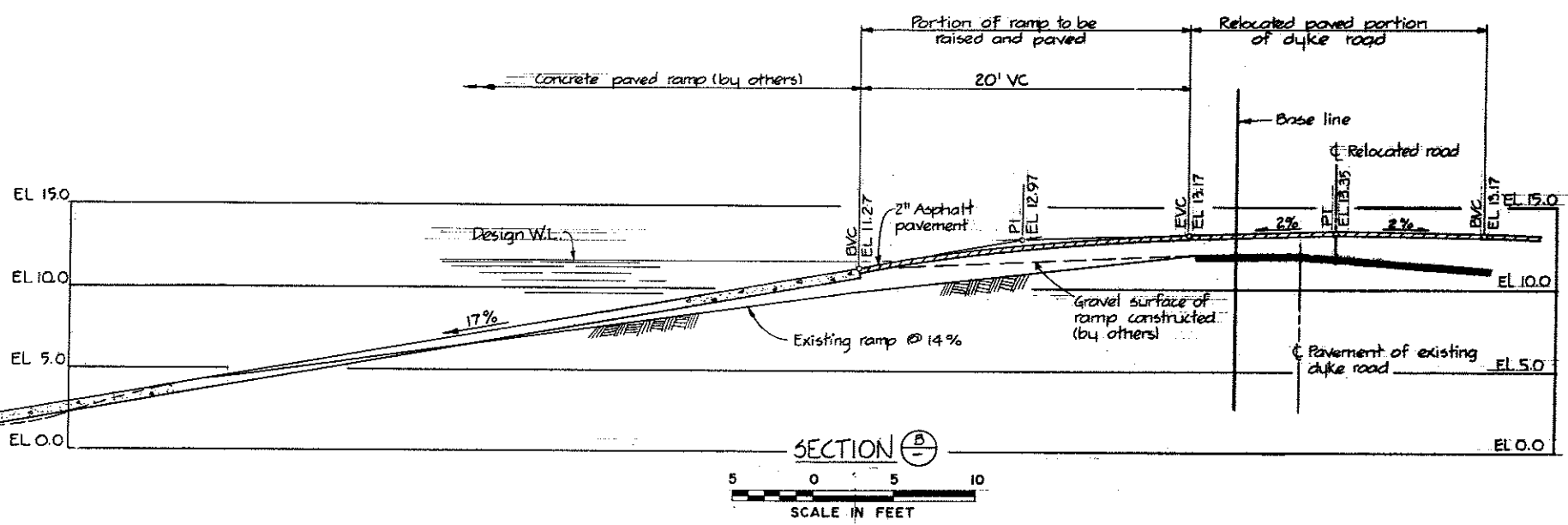
RECOMMENDED	<i>John Fuller</i> CHIEF, PROJECTS DIV.
DATE	Feb 22/74
APPROVED	<i>John Fuller</i> DIRECTOR
DATE	Feb 22/74

BRITISH COLUMBIA DEPARTMENT OF LANDS, FORESTS AND WATER RESOURCES	
WATER RESOURCES SERVICE CANADA - BRITISH COLUMBIA	
FRASER RIVER FLOOD CONTROL 1968 AGREEMENT	
PROJECT NO. 3 - THE TOWNSHIP OF RICHMOND	
CONTRACT NO. 2 - SOUTH DYKE IMPROVEMENTS EAST OF LAFARGE	
MISCELLANEOUS DETAILS	

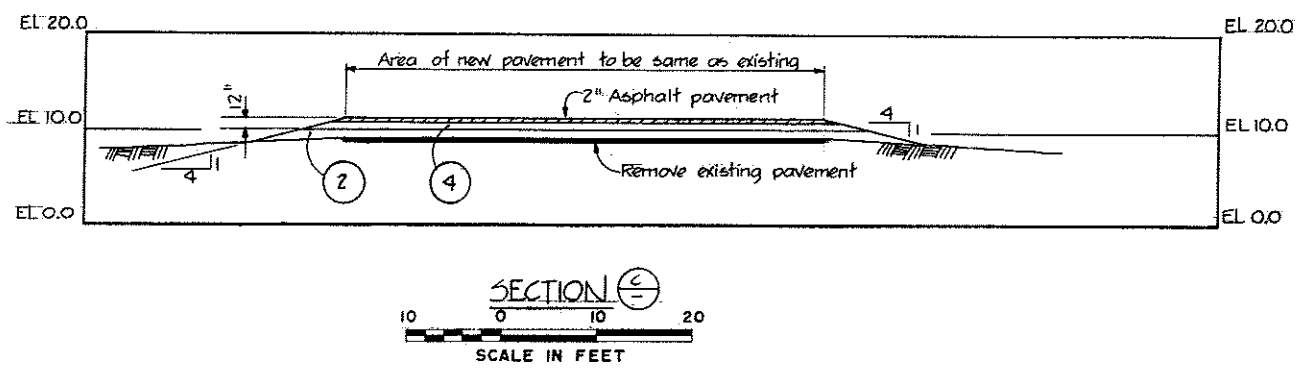
DESIGNED	DLC	SURVEYED	ES & PR
DRAWN	CO	DATE	1969/10/1973
CHECKED	PR	FILE NO.	0281550-C10-2
SCALE	As shown	DATE	Dec. 1973
DWG. NO.	4795-2-10	SHEET	3 OF 4 SHEETS



SECTION A
SCALE IN FEET

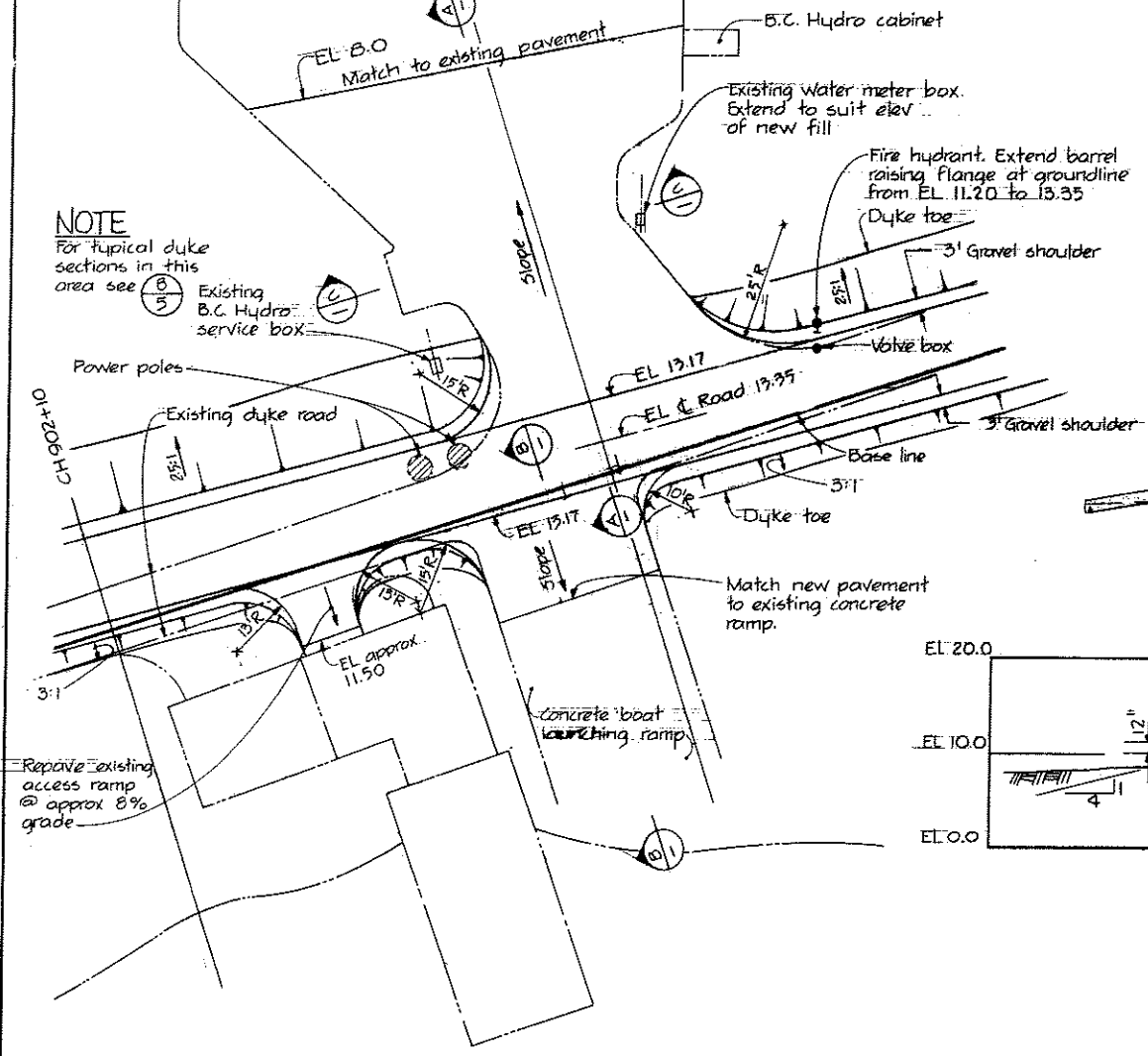


SECTION B
SCALE IN FEET



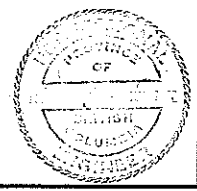
SECTION C
SCALE IN FEET

NOTE
For typical dyke sections in this area see (B) (5)



PLAN
SCALE IN FEET

NOTES
For Notes, Material Legend, and Legend see 4795-2-B

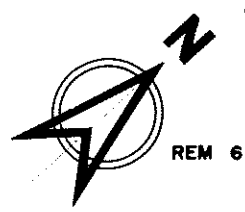


CBA ENGINEERING LTD.
CONSULTING ENGINEERS - VANCOUVER - CANADA

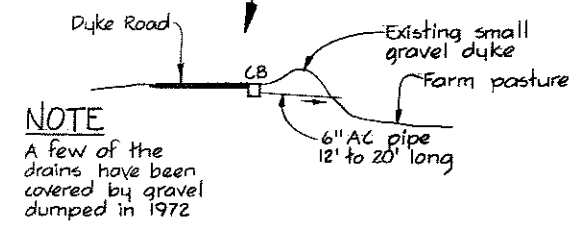
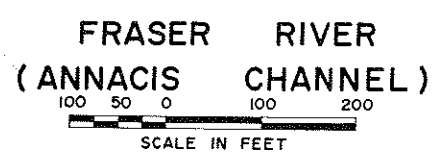
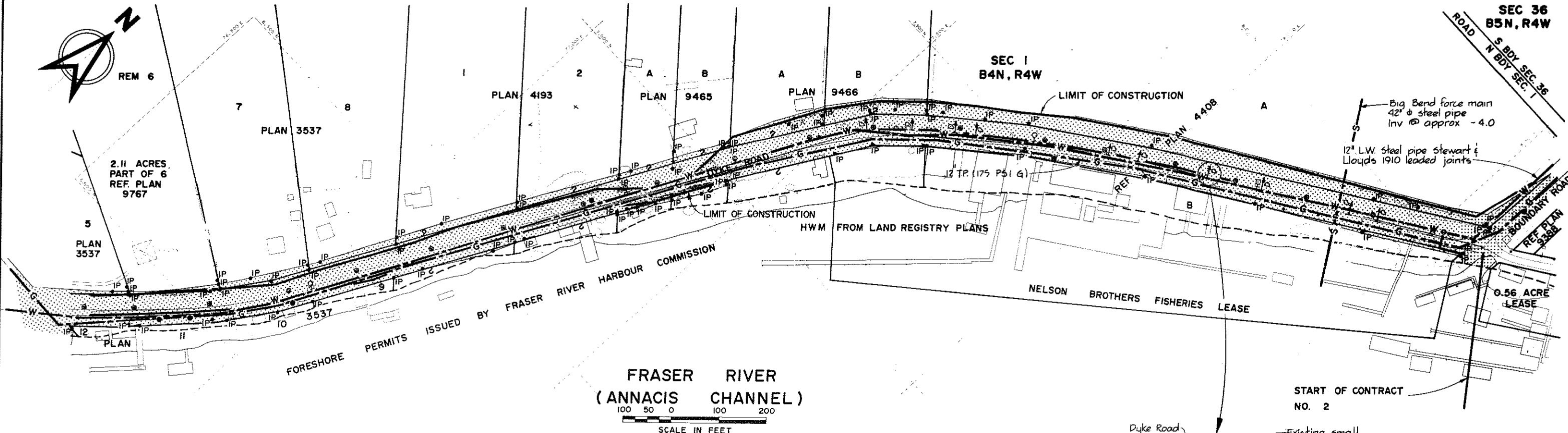
RECOMMENDED	<i>[Signature]</i> CHIEF, PROJECTS DIV.
DATE	<i>Feb 22/74</i>
APPROVED	<i>[Signature]</i> DIRECTOR
DATE	<i>Feb 22/74</i>

BRITISH COLUMBIA
DEPARTMENT OF LANDS, FORESTS AND WATER RESOURCES
WATER RESOURCES SERVICE
WATER INVESTIGATIONS BRANCH
CANADA - BRITISH COLUMBIA
FRASER RIVER FLOOD CONTROL 1968 AGREEMENT
PROJECT NO.3 - THE TOWNSHIP OF RICHMOND
CONTRACT NO.2 - SOUTH DYKE IMPROVEMENTS EAST OF LAFARGE
MISCELLANEOUS DETAILS

DESIGNED	DLC + PR	SURVEYED	PR
DRAWN	<i>[Signature]</i>	DATE	Nov. 1973
CHECKED	PR	FILE NO.	0281550-C10-2
SCALE	As shown	DATE	Dec. 1973
DWG. NO.	4795-2-11	SHEET	4 OF 4 SHEETS



SEC 36
B5N, R4W
S BDY SEC 36
N BDY SEC 1



PROPERTY LEGEND

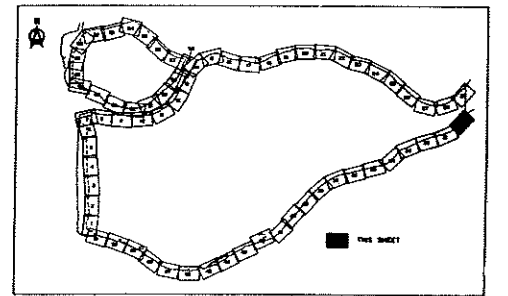
Right-of-way which Province will make available to contractor

SURVEY LEGEND

• IP Iron pin found or set during legal survey by Matson, Peck & Topley Surveyors & Engineers.

SERVICES LEGEND

- W — Water main
- G — Gas main
- S — Sanitary sewer
- D — Storm sewer
- UE — Underground electrical cables
- Hydro pole
- Hydro pole with Hydro & B.C. Tel services
- Fire hydrant
- Manhole



Property data shown on this drawing has been compiled from reference maps listed in the reference column. This data has been recorded in good faith but is subject to error inherent in assembling information from varied sources without field measurement. This drawing is for information only and does not constitute a legal document.

DATA COMPILED IN 1970

Municipality of Richmond 1"=200' Section Property Maps. - Section 1 B4N, R4W. - Section 36 B5N, R4W.	DWG NO.	TITLE
	REFERENCES	

NO.	DESCRIPTION	BY	CH	APPO	ISSUED	NO.	DESCRIPTION	BY	CH	APPO	ISSUED
REVISIONS											

RECOMMENDED <i>J. B. Fuller</i> CHIEF, PROJECTS DIV.		ELC	HYD	THE GOVERNMENT OF THE PROVINCE OF BRITISH COLUMBIA DEPARTMENT OF LANDS FORESTS AND WATER RESOURCES WATER RESOURCES SERVICE		
		MECH	SOILS			
DATE <i>Feb 22/74</i>		STR	CANADA - BRITISH COLUMBIA FRASER RIVER FLOOD CONTROL 1968 AGREEMENT PROJECT No. 3 THE TOWNSHIP OF RICHMOND			
APPROVED <i>M. [Signature]</i> DIRECTOR		DES				DR
DATE <i>Feb 27/74</i>		SCALE		CONTRACT NO. 2 - SOUTH DYKE IMPROVEMENTS EAST OF LAFARGE PLAN SHOWING LOCATION OF EXISTING SURVEY MARKERS AND UTILITIES SHEET 1 OF 5		
		ORG ISSUE		Dec. 1973		
		FILE NO.		0281550-C10-2		
		DWG NO.		4795-2-12		
		REV				



REM OF W PART OF SEC 11, B4N, R4W

B.C. HYDRO R/W

SEC 2 B4N, R4W

PLAN 8558

2.11 ACRES PART OF 6 REF PLAN 9767

PLAN 5635

PLAN 3537

SEC 11 B4N, R4W

SEC 1 B4N, R4W

SEC 12 B4N, R4W

PACIFIC PINE COMPANY LIMITED FORESHORE LEASE

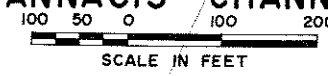
LIMIT OF CONSTRUCTION

LIMIT OF CONSTRUCTION

HWM FROM LAND REGISTRY PLANS

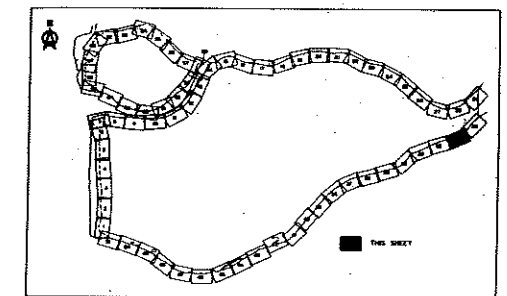
16 PLAN FORESHORE PERMITS ISSUED BY FRASER RIVER HARBOUR COMMISSION
12" L.W. steel pipe Stewart & Lloyds 1910 leaded joints

FRASER RIVER (ANNACIS CHANNEL)



NOTES

for legends see 4795-2-12

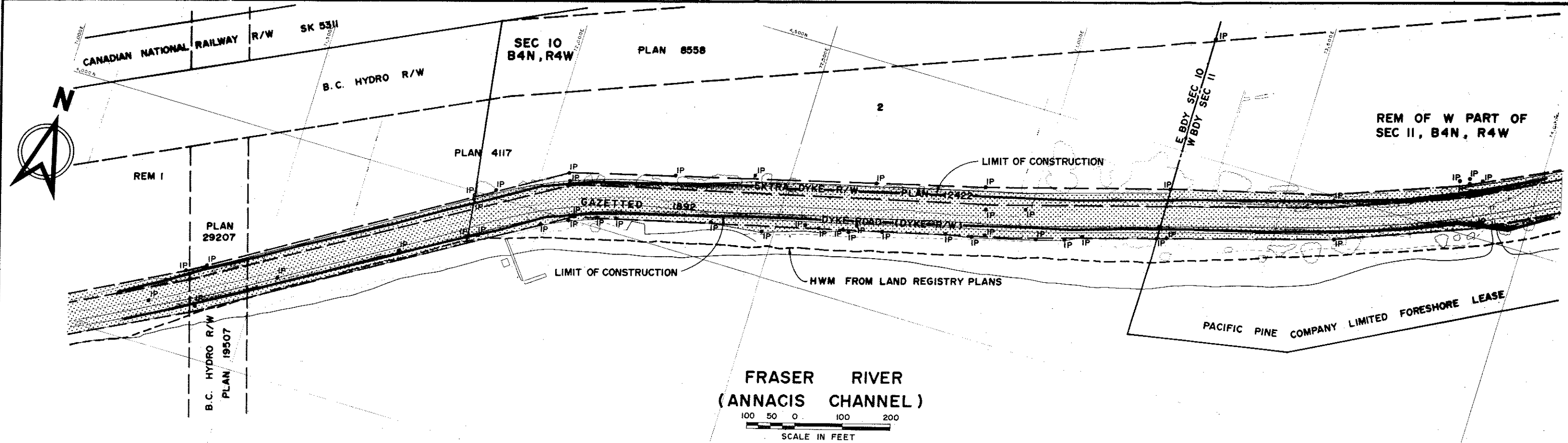


Property data shown on this drawing has been compiled from reference maps listed in the reference column. This data has been recorded in good faith but is subject to errors inherent in assembling information from varied sources without field measurement. This drawing is for information only and does not constitute a legal document.
DATA COMPILED IN 1970

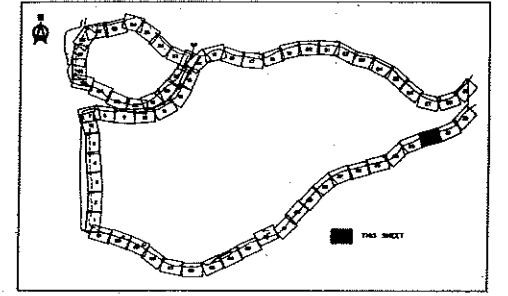
Municipality of Richmond 1/4" = 200' Section Property Maps. - Section 1 B4N, R4W. - Section 2 B4N, R4W. - Section 11 B4N, R4W. - Section 12 B4N, R4W.	
DWG NO.	TITLE
REFERENCES	

NO.	DESCRIPTION	BY	CHK	APPD	ISSUED	NO.	DESCRIPTION	BY	CHK	APPD	ISSUED
REVISIONS											

C. B. A. ENGINEERING LTD.		CONSULTING ENGINEERS		VANCOUVER, B.C., CANADA	
RECOMMENDED <i>[Signature]</i> DATE <i>Feb 20/74</i>	ELC MECH STR	HYD SOILS	THE GOVERNMENT OF THE PROVINCE OF BRITISH COLUMBIA DEPARTMENT OF LANDS FORESTS AND WATER RESOURCES WATER RESOURCES SERVICE CANADA - BRITISH COLUMBIA FRASER RIVER FLOOD CONTROL 1968 AGREEMENT PROJECT No. 3 THE TOWNSHIP OF RICHMOND CONTRACT NO. 2 - SOUTH DYKE IMPROVEMENTS EAST OF LAFARGE PLAN SHOWING LOCATION OF EXISTING SURVEY MARKERS AND UTILITIES SHEET 2 OF 5		
APPROVED <i>[Signature]</i> DATE <i>Feb 25/74</i>	DES SCALE ORIG ISSUE	DR GD CH DL As shown Dec, 1973			
FILE NO. 0281550-C10-2		DWG NO. 4795-2-13			



NOTES
 For legends see 4795-2-12

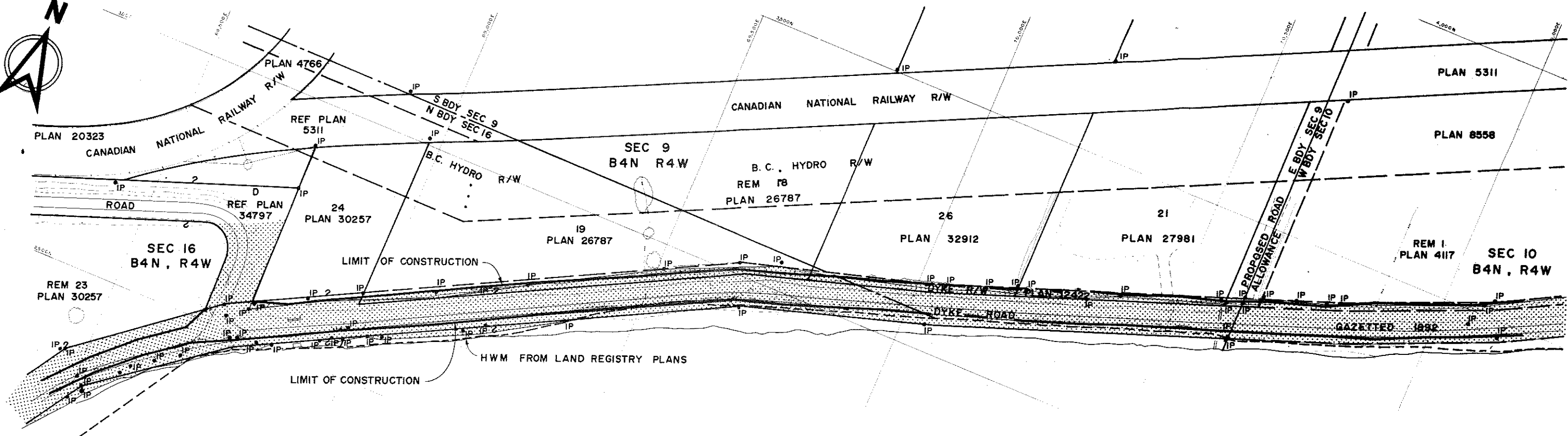


Property data shown on this drawing has been compiled from reference maps listed in the reference column. This data has been recorded in good faith but is subject to error inherent in assembling information from varied sources without field measurement. This drawing is for information only and does not constitute a legal document.
DATA COMPILED IN 1970

Municipality of Richmond 1/4" = 200' Section Property Maps - Section 10 B4N, R4W. - Section 11 B4N, R4W.
REFERENCES

NO.	DESCRIPTION	BY	CH	APPR	ISSUED	NO.	DESCRIPTION	BY	CH	APPR	ISSUED
REVISIONS						REVISIONS					

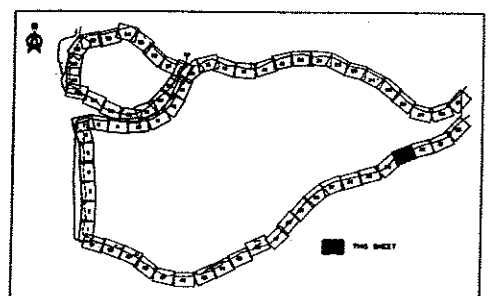
C. B. A. ENGINEERING LTD.		CONSULTING ENGINEERS VANCOUVER, B.C., CANADA	
RECOMMENDED <i>John Fuller</i>	MECH	HYD	SOILS
DATE <i>Feb 24/71</i>	STR		
APPROVED <i>M. S. [Signature]</i>	DES	DE	CH
DATE <i>Feb 24/71</i>	SCALE	As shown	
	ORIG ISSUE	Dec., 1970	
THE GOVERNMENT OF THE PROVINCE OF BRITISH COLUMBIA DEPARTMENT OF LANDS, FORESTS AND WATER RESOURCES WATER RESOURCES SERVICE		CANADA-BRITISH COLUMBIA FRASER RIVER FLOOD CONTROL 1968 AGREEMENT PROJECT No. 3 THE TOWNSHIP OF RICHMOND	
CONTRACT NO. 2 - SOUTH DYKE IMPROVEMENTS EAST OF LAFARGE		PLAN SHOWING LOCATION OF EXISTING SURVEY MARKERS AND UTILITIES	
SHEET 3 OF 5		FILE NO. 0281550-C10-2	DWG NO. 4795-2-14



FRASER RIVER (ANNACIS CHANNEL)



NOTES
 For legends see 4795-2-12



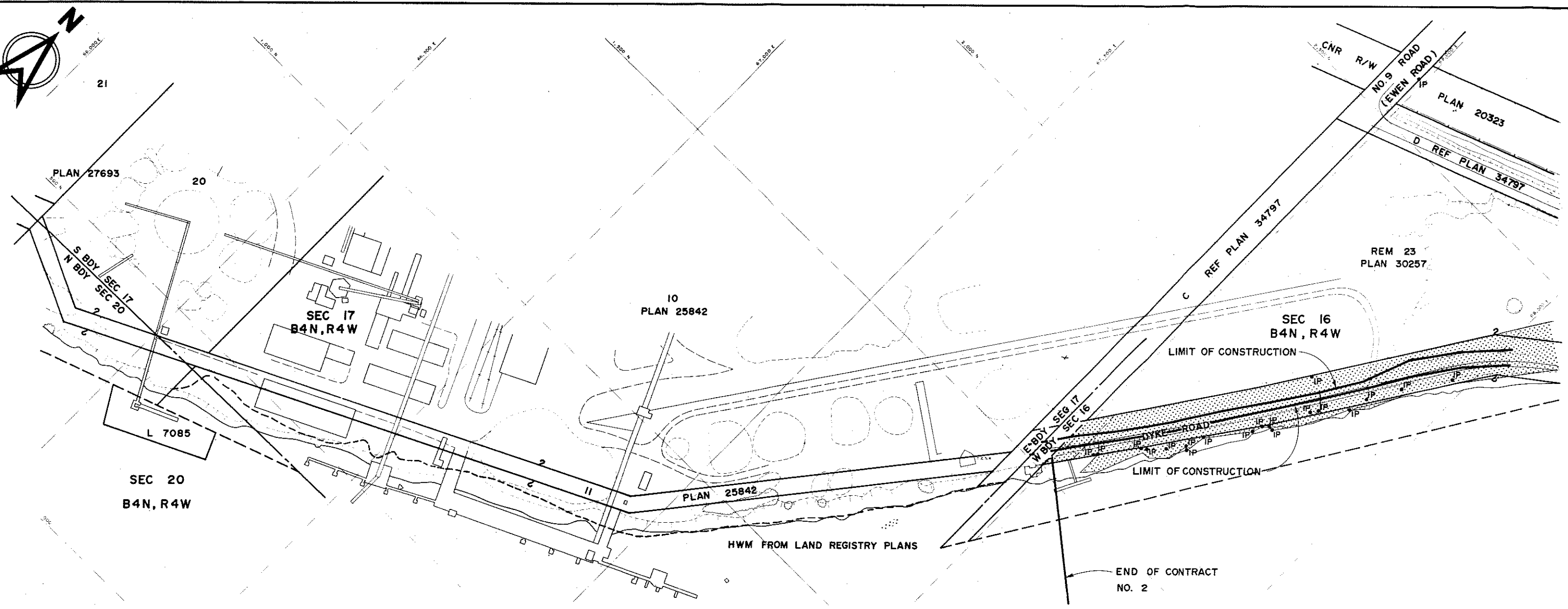
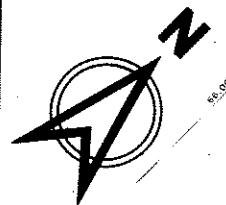
Property data shown on this drawing has been compiled from reference maps listed in the reference column. This data has been recorded in good faith but is subject to errors inherent in assembling information from varied sources without field measurement. This drawing is for information only and does not constitute a legal document.

DATA COMPILED IN 1970

Municipality of Richmond 1"=200' Section Property Maps. - Section 9 B4N, R4W. - Section 10 B4N, R4W. - Section 16 B4N, R4W.	
DWG NO.	TITLE
REFERENCES	

NO.	DESCRIPTION	BY	CHK	APPD	ISSUED	NO.	DESCRIPTION	BY	CHK	APPD	ISSUED
REVISIONS						REVISIONS					

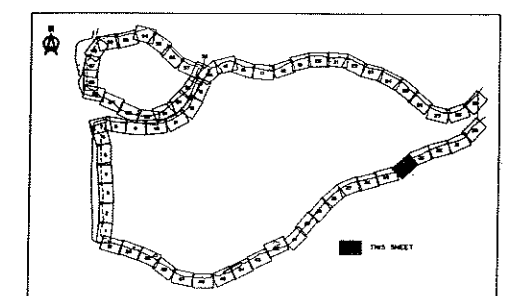
C. B. A. ENGINEERING LTD.				CONSULTING ENGINEERS VANCOUVER, B.C., CANADA			
RECOMMENDED	ELEC	HYD	SOILS	THE GOVERNMENT OF THE PROVINCE OF BRITISH COLUMBIA DEPARTMENT OF LANDS FORESTS AND WATER RESOURCES WATER RESOURCES SERVICE			
DATE	MECH	STR		CANADA - BRITISH COLUMBIA FRASER RIVER FLOOD CONTROL 1968 AGREEMENT PROJECT No. 3 THE TOWNSHIP OF RICHMOND			
APPROVED	DES	DR	CH	CONTRACT NO. 2 - SOUTH DYKE IMPROVEMENTS EAST OF LAFARGE PLAN SHOWING LOCATION OF EXISTING SURVEY MARKERS AND UTILITIES SHEET 4 OF 5			
DATE	SCALE	As shown					
	ONG ISSUE	Dec, 1973		FILE NO. 0281550-C10-2 DWG NO. 4795-2-15 REV			



FRASER RIVER (ANNACIS CHANNEL)



NOTES
 For legends see 4795-2-12



Property data shown on this drawing has been compiled from reference maps listed in the reference column. This data has been recorded in good faith but is subject to errors inherent in assembling information from varied sources without field measurement. This drawing is for information only and does not constitute a legal document.

Municipality of Richmond 1"=200' Section Property Maps.	
- Section 16 B4N, R4W. - Section 17 B4N, R4W. - Section 20 B4N, R4W.	
DWG NO.	TITLE
REFERENCES	

NO.	DESCRIPTION	BY	CH	APPD	ISSUED	NO.	DESCRIPTION	BY	CH	APPD	ISSUED
REVISIONS						REVISIONS					

C. B. A. ENGINEERING LTD.				CONSULTING ENGINEERS VANCOUVER, B.C., CANADA			
RECOMMENDED <i>M. Williams</i> CHIEF, PROJECTS DIV.				THE GOVERNMENT OF THE PROVINCE OF BRITISH COLUMBIA DEPARTMENT OF LANDS, FORESTS AND WATER RESOURCES WATER RESOURCES SERVICE			
DATE: <i>Feb 22/74</i>				CANADA - BRITISH COLUMBIA FRASER RIVER FLOOD CONTROL 1968 AGREEMENT PROJECT No. 3 THE TOWNSHIP OF RICHMOND			
APPROVED <i>P. Brady</i> DIRECTOR				CONTRACT NO. 2 - SOUTH DYKE IMPROVEMENTS EAST OF LAFARGE PLAN SHOWING LOCATION OF EXISTING SURVEY MARKERS AND UTILITIES SHEET 5 OF 5			
DATE: <i>Feb 22/74</i>				SCALE: As shown			
				ORG ISSUE: Dec, 1973			
				FILE NO. 02B1550-C10-2			
				DWG NO. 4795-2-16			
				REV			