



## PERMIT UNDER THE WATER ACT AUTHORIZING THE OCCUPATION OF CROWN LAND

Mike Nichvolodoff of Glade, B.C.

the holder(s) of Conditional Water Licence No. 29524 authorizing  
the diversion of water of Shore Creek is/are hereby

authorized to occupy Crown land by  
constructing, maintaining and operating thereon the works authorized  
under the said water licence and any licences which may be issued  
in substitution thereof.

- (a) The Crown land which is authorized to be occupied under this permit is  
a portion of that part of Lot 302A, Kootenay District, shown  
on D.D.18555, the location of which is shown approximately on  
the attached plan.
- (b) The approximate dimensions of the Crown land authorized to be occupied under this permit are  
150 feet in length and 15 feet in width, having an area of 0.05  
acre.
- (c) Subject to the payment of royalty, stumpage, and other compensation as provided under Condition 5,  
the permittee is authorized to  
cut and remove from the said land any timber the removal of  
which is necessary to permit construction and maintenance of  
the said works.
- (d) The annual rental for this permit is \$ 2.00 , which is subject to review and revision at any time  
at the discretion of the Crown.
- (e) This permit is appurtenant to the land to which the aforesaid water licence is appurtenant.
- (f) The conditions relative to the rights granted under this permit are printed on the back of this form.

File No. 0256880

Ref. Map 82 F/SW (E-3)

W.R. Map 5300D

Date issued: 2 January 1969

Permit No. 6995

A handwritten signature in cursive script, appearing to read "D. Booth wide", written over a horizontal dashed line.  
Deputy Minister of Lands.

CONDITIONS RELATIVE TO THE RIGHTS GRANTED  
UNDER THIS PERMIT

1. This permit is issued under the *Water Act*, and the rights hereby granted are subject at all times to the provisions of that Act and all Acts passed in amendment or substitution thereof and to all regulations from time to time made under any such Act.

2. There is reserved to the Crown the right to grant to other persons permits to occupy the land affected by this permit without compensation to the permittee or his successors in title.

3. In the event of any dispute arising at any time between the permittee and any owner of land adjacent to the land affected by this permit with respect to the area or boundaries of the land so affected, the licensee shall at his own expense, when so directed by the Deputy Minister of Lands, have the said land surveyed by a duly qualified surveyor, and shall likewise file with the Department of Lands, Forests, and Water Resources at Victoria, B.C., a plan showing the result of the survey.

4. This permit and the rights granted hereunder are subject always to compliance by the permittee with the terms of his water licence, and if the rights granted under the said licence should at any time be suspended or terminated the rights granted under this permit are thereupon likewise suspended or terminated.

5. The amount of stumpage, royalty, and (or) compensation payable to the Crown by the permittee in respect of trees, including merchantable or young growth, cut, removed, damaged, or destroyed by the permittee, shall be the sum or sums fixed by the Forest Service of the Province of British Columbia.

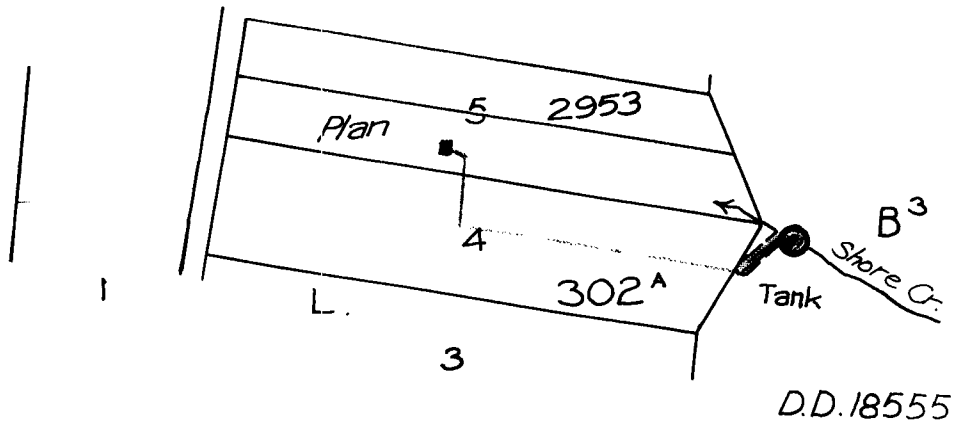
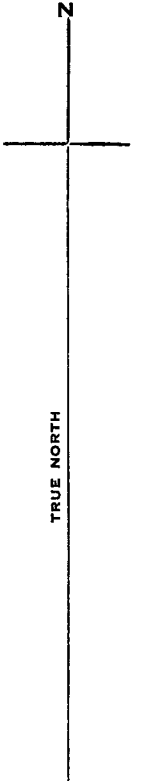
British




Columbia


NELSON WATER DISTRICT  
KOOTENAY DISTRICT


Scale: 500 Feet to 1 Inch




**LEGEND**

Point of Diversion 

W.R. Map 

Pipe & Flume 

Right-of-Way 

5300<sup>D</sup>

Signature 

Date Jan 2 1969

R/W Permit 6995 For CL 29524  
File 0256880

**EXHIBIT "A"**