



PERMIT UNDER THE WATER ACT AUTHORIZING THE OCCUPATION OF CROWN LAND

Gerhart T. Svare of 241 Columbia Avenue, Castlegar, B.C., V1N 1G3

the holder(s) of Conditional/~~Flow~~ Water Licence(s) 23681
the diversion of water from ~~Park Brook~~ Park Brook

authorizing
is/are hereby

authorized to occupy Crown land by constructing, maintaining, and operating thereon the works authorized under the said water licence and any licences which may be issued in substitution thereof.

- (a) The Crown land which is authorized to be occupied under this permit is a portion of
Lot 5 of Sublot 13A of Lot 819, Kootenay District, Plan 1015,

attached plan.

the location of which is shown approximately on the ~~plan attached to the said water licence~~

- (b) The approximate dimensions of the Crown land authorized to be occupied under this permit are
1,100 feet in length and 15 feet in width, having an area of 0.378 acre.

- (c) Subject to the payment of royalty, stumpage, and other compensation, and the obtaining of a licence to cut timber as provided under Condition 5, the permittee may cut and remove from the said land any timber, the removal of which is necessary to permit construction and maintenance of the said works.

- (d) The annual rental for this permit is \$ 2.00 , which is subject to review and revision at any time at the discretion of the Crown.

- (e) This permit is appurtenant to the land, mine, or undertaking to which the aforesaid water licence is appurtenant.

- (f) The conditions relative to the rights granted under this permit are printed on the back of this form.

Deputy Minister of Environment

~~ASSOCIATE DEPUTY MINISTER OF THE ENVIRONMENT
Land and Water Management~~

File No. 0215165

Ref. Map 82 F/14

W. R. Map 3952D

Date issued: 7th September, 1979 Permit No. 12119

CONDITIONS RELATIVE TO THE RIGHTS GRANTED UNDER THIS PERMIT

1. This permit is issued under the *Water Act*, and the rights hereby granted are subject at all times to the provisions of that Act and all Acts passed in amendment or substitution thereof and to all regulations from time to time made under any such Act.

2. There is reserved to the Crown the right to grant to other persons permits to occupy the land affected by this permit without compensation to the permittee or his successors in title.

3. In the event of any dispute arising at any time between the permittee and any owner of land adjacent to the land affected by this permit with respect to the area or boundaries of the land so affected, the licensee shall at his own expense, when so directed by the Deputy Minister of the Environment, have the said land surveyed by a duly qualified surveyor, and shall likewise file with the Ministry of the Environment at Victoria, British Columbia, a plan showing the result of the survey.

4. This permit and the rights granted hereunder are subject always to compliance by the permittee with the terms of his water licence, and if the rights granted under the said licence should at any time be suspended or terminated, the rights granted under this permit are thereupon likewise suspended or terminated.

5. The amount of stumpage, royalty, and (or) compensation payable to the Crown by the permittee in respect of trees, including merchantable or young growth, cut, removed, damaged, or destroyed by the permittee, shall be the sum or sums fixed by the Forest Service of the Province of British Columbia. Prior to the cutting, destruction, or flooding of any timber, the permittee must apply for and obtain a licence to cut timber from the District Forester.

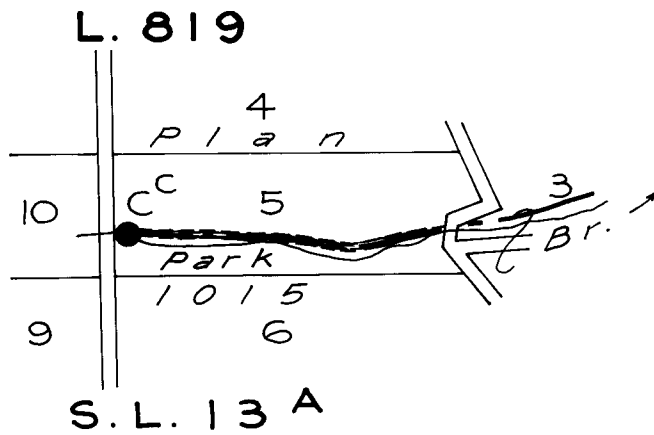
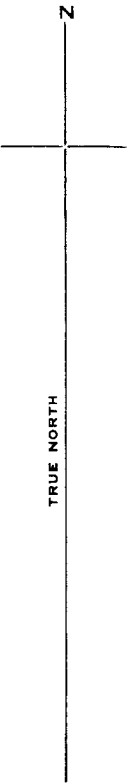
British



Columbia

KASLO WATER DISTRICT
KOOTENAY DISTRICT

Scale: 10 Chains to 1 Inch



LEGEND

Point of Diversion ●
 W.R. Map ———
 Right of Way ———
 Pipe - - - - -

● 3952 D
 ———
 - - - - -

Signature *Jack Lovell*

Date 7th Sept. 1979

R/W Permit 12119 for C.L. 23681
File 0215165